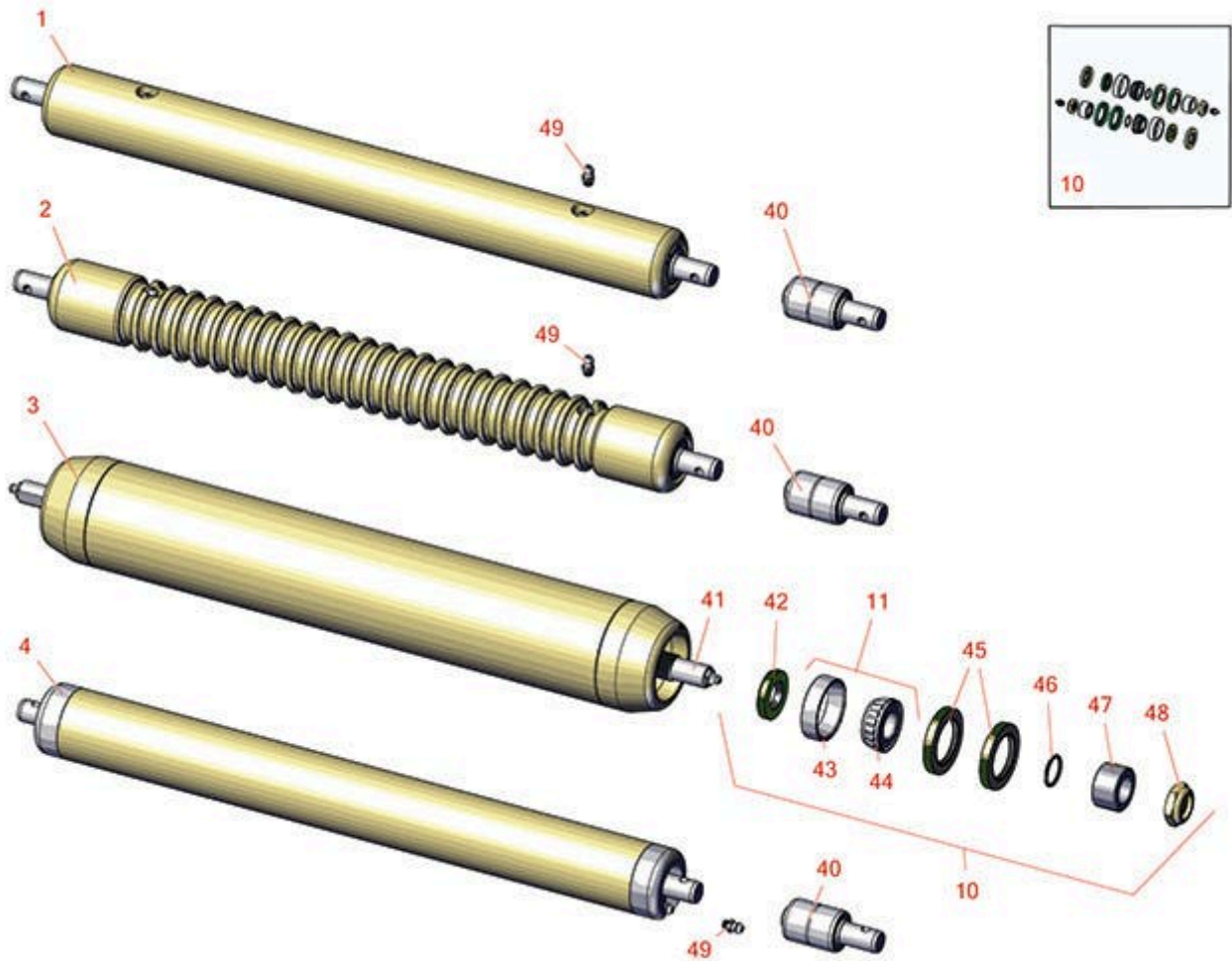




Replaces John Deere 180 E-Cut Hybrid Walk-Behind Greens Mower Parts

Cutting Unit
Rollers



All original equipment manufacturers names and part numbers are used for identification purposes only, and we are in no way implying that our products are original equipment parts. Prices subject to change without notice.



Replaces John Deere 180 E-Cut Hybrid Walk-Behind Greens Mower Parts

Cutting Unit
Rollers



Item No	R&R Part No.	OEM Part No.	Description	Qty Req	Order Quantity
---------	--------------	--------------	-------------	---------	----------------

Rollers

1	RAMT2786	AMT2786, AMT2981	Roller - Smooth Solid Steel	1	
<i>Tech Note: Machined from solid steel, this heavy weight roller uses greasable "water-pump" style bearings.:</i>					
2	RAMT2784	AMT2979	Roller - Grooved Machined Solid Steel	1	
<i>Tech Note: Machined from solid steel, this heavy weight roller uses greasable "water-pump" style bearings.:</i>					
3	RTCA19509	TCA19509	Roller - Smooth Tubular Steel	1	
<i>Tech Note: Constructed with a through shaft, this heavy duty roller uses greasable tapered bearings for extended life.:</i>					
4	RTCA19656	BM24203, TCA19656	Roller - Smooth Tubular Steel	1	

Overhaul Kits

10	RAET10632	AET10632	Overhaul Kit - Roller	1	
<i>Tech Note: Includes 4 ea: RET15755 Seal; 2 ea: R237-54 O-Ring, R253-122 Seal, R254-78 Bearing, R254-79 Cup, R3296-15 Locknut, R471219 Grease Zerk, RET15726 Sleeve, RET15756 Seal:</i>					
11	R500534		Bearing - with Cup	2	

Other Parts Available

40	RAA35741	AA35741, AET10129, TCA22836	Bearing	2	
<i>Tech Note: 1/4" Side Hole:</i>					
41	RTC26890	TCU26890	Shaft - Roler	1	
42	RET15756	ET15756, MT1739, MT739	Seal	2	

All original equipment manufacturers names and part numbers are used for identification purposes only, and we are in no way implying that our products are original equipment parts. Prices subject to change without notice.



Replaces John Deere 180 E-Cut Hybrid Walk-Behind Greens Mower Parts

Cutting Unit
Rollers



Item No	R&R Part No.	OEM Part No.	Description	Qty Req	Order Quantity
43	R254-79	JD8226	Cup - Bearing	2	
<i>Tech Note: Use R254-79M installation mandrel to properly install race.:</i>					
44	R254-78	JD8188	Tapered Bearing Cone	2	
45	RET15755	ET15755	Seal - Oil	4	
46	R237-54	U46731, U6731	O-Ring - Small	2	
47	RET15726	ET15726, RET15726	Sleeve - Wear Hardened	2	
48	R3296-15	N101345	Locknut - 3/4-16 Nylon Jam	2	
49	R302-5	JD7797, JD7842, JD7844	Fitting - Grease	2	

All original equipment manufacturers names and part numbers are used for identification purposes only, and we are in no way implying that our products are original equipment parts. Prices subject to change without notice.