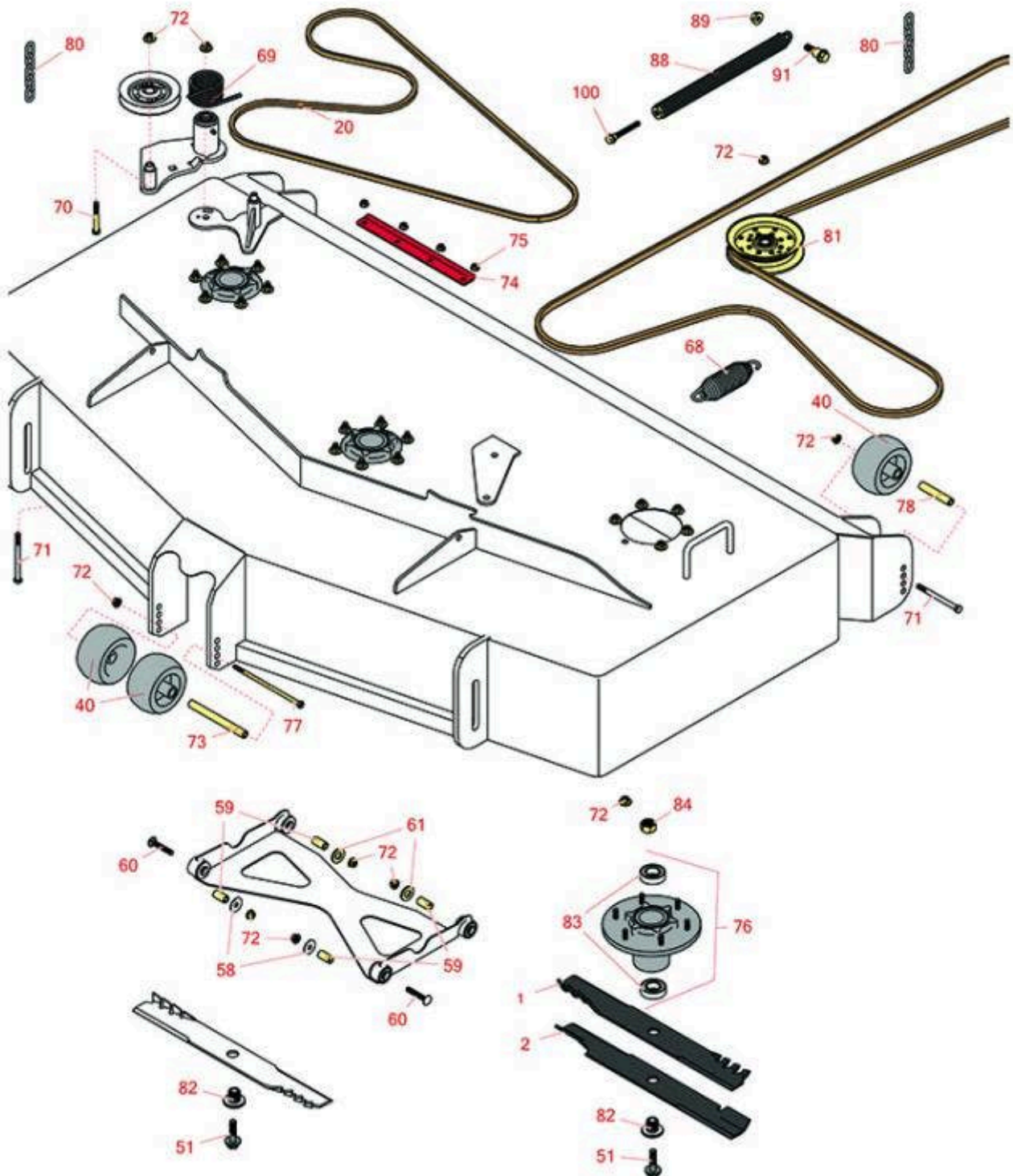




# Replaces Exmark Radius S-Series Parts

60in Rotary Mower - Model RAS708GEM60RC3

60in Deck Parts



All original equipment manufacturers names and part numbers are used for identification purposes only, and we are in no way implying that our products are original equipment parts. Prices subject to change without notice.



# Replaces Exmark Radius S-Series Parts

60in Rotary Mower - Model RAS708GEM60RC3

60in Deck Parts



Item No	R&R Part No.	OEM Part No.	Description	Qty Req	Order Quantity
<b>Blades</b>					
1	<b>RRB4065-2001</b>	116-5174, 116-5174-S	Mower Blade - Mulcher 20.5 x 2.5in x 15/16 Mt Hole	2	
2	<b>RRB3065-2001</b>	103-6403, 103-6403-S	Mower Blade - High-Lift 20.5 x 2.5in x 15/16 Mt Hole	2	
<b>Belts</b>					
20	<b>R116-8187</b>	116-8187	Belt - V - Deck	1	
<b>Tires</b>					
40	<b>R68-2730</b>	1-603299	Wheel - Anti Scalp	4	
51	<b>R109-9220</b>	109-9220	Bolt - Sems 1/2-20	3	
58	<b>R2844</b>	2844	Washer	2	
59	<b>R108-6544</b>	108-6544	Spacer	4	
60	<b>R3231-7</b>	3231-7	Bolt - Carriage 3/8-16 x 2-1/4	4	
61	<b>R1-373034</b>	1-373034	Washer - 7/16 HD	2	
68	<b>R116-6317</b>	116-0133, 116-6317	Spring - Extension	1	
69	<b>R108-1921</b>	108-1921	Torsion Spring - Idler	1	
70	<b>R323-13</b>	323-13	Bolt - Hex HD 3/8-16 x 2-3/4 GR5	1	
71	<b>R323-23</b>	323-23	Bolt - Hex HD 3/8-16 x 4-1/2	3	
72	<b>R104-8301</b>	104-8301, 109-6658	Locknut - 3/8-16 Nylon Flanged	31	
73	<b>R98-5967</b>	98-5967	Spacer-Wheel	1	
74	<b>R126-0413-01</b>	126-0413-01	Support - Outer Flap	2	
75	<b>R104-8300</b>	104-8300	Locknut - 5/16-18 Flanged Y/Zinc	15	

All original equipment manufacturers names and part numbers are used for identification purposes only, and we are in no way implying that our products are original equipment parts. Prices subject to change without notice.



## Replaces Exmark Radius S-Series Parts

60in Rotary Mower - Model RAS708GEM60RC3

60in Deck Parts



Item No	R&R Part No.	OEM Part No.	Description	Qty Req	Order Quantity
76	<b>R116-3344</b>	116-3344	Spindle Housing Assy	3	
77	<b>R108-5388</b>	108-5388	Bolt - Hx HD 3/8-16 x 7 1/2	1	
78	<b>R98-7912</b>	98-7912	Bushing - Spanner Wheel	2	
80	<b>R1-633447</b>	1-633447	Chain - Deck Lift	4	
81	<b>R126-9196</b>	126-9196	Idler Pulley - Flat	1	
82	<b>R103-3037</b>	103-3037	Splined Bushing	3	
83	<b>R116-0720</b>	116-0720	Bearing - Ball - Special Triple Seal	6	
84	<b>R116-7306</b>	116-7306	Hex Nut - 3/4-16 with Nyloc	3	
88	<b>R116-0886</b>	116-0886	Spring - Extension	1	
89	<b>R32128-23</b>	32128-23, 99-5107	Nut - Lock Hex Flanged 1/2-13	1	
91	<b>R116-0780</b>	116-0780	Bolt - Hx HD Fl Shoulder	1	
100	<b>R92-7674</b>	92-7674	Bolt - Shoulder	1	

All original equipment manufacturers names and part numbers are used for identification purposes only, and we are in no way implying that our products are original equipment parts. Prices subject to change without notice.