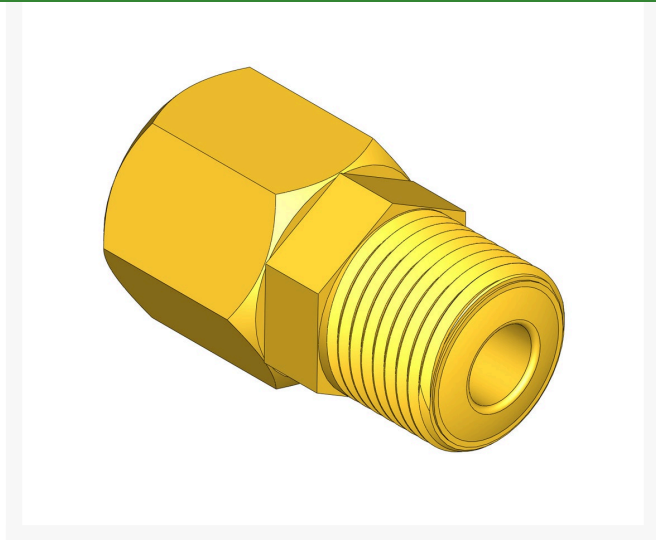




Fitting - Swivel 3/8 x 3/8

R5121



Details

Select fitting to match hose inside diameter. NPT pipe thread.

- Match hose ID to fitting size
- NPT pipe thread
- 3/8" x 3/8" Male

Specifications

Manufacturer

R&R Products

Baber Turf Equipment Co.

Unit 6 / 10 Firth Street Auckland, 2113

09 294 6040

<https://baber.rrproducts.com/>