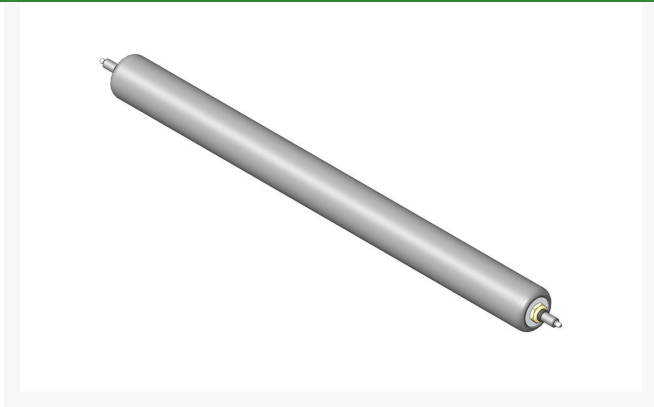




# Roller - Smooth Tubular Steel

R84-6180



## Details

Constructed with a 33" body length and a through shaft, this heavy duty roller uses greasable tapered bearings for extended life.

## Replaces

Toro 84-6180

## Specifications

Manufacturer	R&R Products
Overhaul Kit No.	R100160
Roller Body Diameter	2.75 in
Weight (lbs)	43 lb

## Fits Models

Toro Reelmaster 335D  
Toro Reelmaster 3500-D  
Toro Reelmaster 4000-D  
Toro Reelmaster 4500D  
Toro Reelmaster 450-D

## Replacement Parts

R100160	Overhaul Kit - Roller
R500534	Bearing - with Cup
R84-6070	Shaft - 36 Roller
R253-122	Seal
R254-79	Cup - Bearing
R254-78	Tapered Bearing Cone
R237-54	O-Ring - Small
R59-5690	Sleeve - Wear
R253-117	Seal - Outer Triple Lip
R150504	Washer
R3296-15	Locknut - 3/4-16 Nylon

**Baber Turf Equipment Co.**

Unit 6 / 10 Firth Street Auckland, 2113

09 294 6040

<https://baber.rrproducts.com/>



# Roller - Smooth Tubular Steel

R84-6180



lam

R302-5

Fitting - Grease