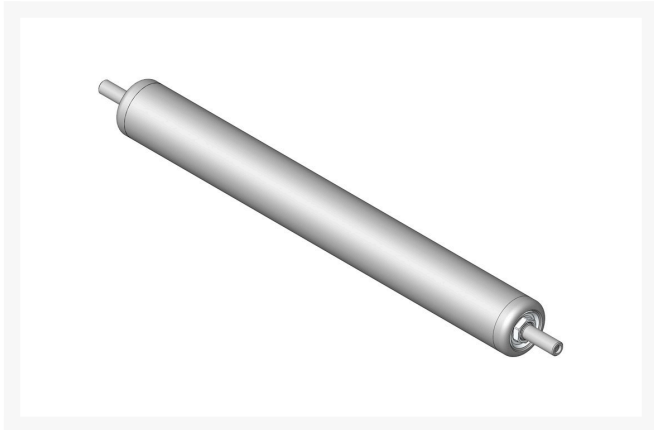
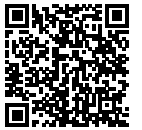




# Roller - Smooth Tubular Steel

R107-9039



## Details

Constructed with a through shaft, this steel roller uses a through shaft and ball bearings.

## Replaces

R&R Products	R104-9796, R106-2612, R107-3500
Toro	106-2612, 107-3500, 107-9039

## Specifications

Manufacturer	R&R Products
Overhaul Kit No.	R107-1594
Roller Body Diameter	2.5 in
Weight (lbs)	9 lb

## Fits Models

R&R Products Greens Max 2200  
R&R Products Greens Max 2200D  
R&R Products Greens Max 2200LP  
R&R Products Versa-Green 1860  
R&R Products Versa-Green 1860PS  
Toro Greensmaster 3050  
Toro Greensmaster 3100  
Toro Greensmaster 3120  
Toro Greensmaster 3150-Q  
Toro Greensmaster 3200 & 3200-D  
Toro Greensmaster 3250-D  
Toro Greensmaster Flex 21

## Replacement Parts

R107-1594	Overhaul Kit - Roller
-----------	-----------------------

**Baber Turf Equipment Co.**

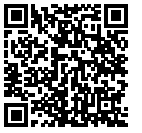
Unit 6 / 10 Firth Street Auckland, 2113  
09 294 6040

<https://baber.rrproducts.com/>



# Roller - Smooth Tubular Steel

R107-9039



---

R106-6940	Shaft
R251-347	Bearing - Ball
R106-6941	Seal - Double Lip
R106-6942	V-Ring - Roller
R108-3151	Locknut - Roller - Stainless