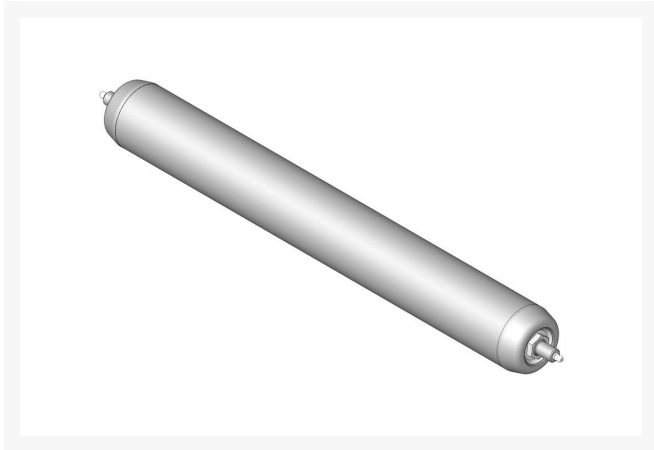




Roller - Smooth Tubular Steel

R114-5412



Details

Constructed with a through shaft, this heavy-duty roller uses greasable stainless ball bearings. (2008 & Up)

Replaces

R&R Products	114-5412
Toro	114-5412

Specifications

Manufacturer	R&R Products
Overhaul Kit No.	R114-5430
Roller Body Diameter	3 in
Weight (lbs)	18 lb

Fits Models

- R&R Products Reel Max 544D
- R&R Products Reel Max 744D
- Toro Reelmaster 3550-D
- Toro Reelmaster 3555-D
- Toro Reelmaster 3575-D
- Toro Reelmaster 5010-H
- Toro Reelmaster 5210-D
- Toro Reelmaster 5410-D
- Toro Reelmaster 5410G
- Toro Reelmaster 5510-D
- Toro Reelmaster 5510-G
- Toro Reelmaster 5610-D
- Toro Reelmaster 6500D
- Toro Reelmaster 6700D

Baber Turf Equipment Co.

Unit 6 / 10 Firth Street Auckland, 2113
09 294 6040

<https://baber.rrproducts.com/>



Roller - Smooth Tubular Steel

R114-5412



Replacement Parts

R114-5430	Overhaul Kit - Roller
R114-5403	Shaft - Front Roller
R114-3717	Seal
R112-5290	Bearing - Stainless
R112-7494	Seal
R114-3745	Locknut - Bearing - Stainless
R302-5	Fitting - Grease

Baber Turf Equipment Co.

Unit 6 / 10 Firth Street Auckland, 2113
09 294 6040

<https://baber.rrproducts.com/>