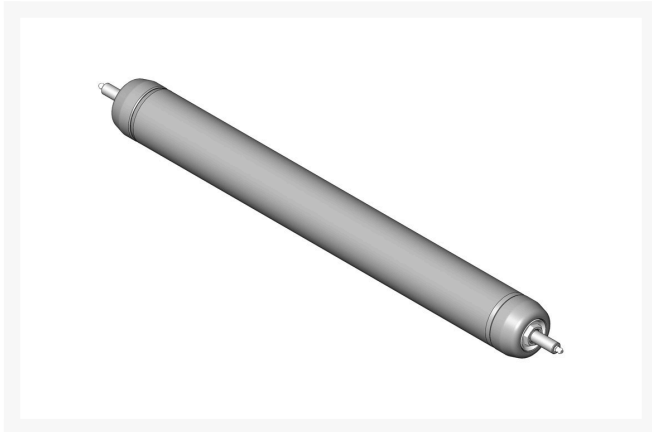




Roller - Smooth Steel - 27" Units

R114-9383



Details

Constructed with a through shaft, this heavy-duty roller uses greasable ball bearings.

Replaces

Toro 114-9383

Specifications

Manufacturer	R&R Products
Overhaul Kit No.	R114-5430
Roller Body Diameter	3 in
Weight (lbs)	20 lb

Fits Models

Toro Reelmaster 3100-D
Toro Reelmaster 7000-D

Replacement Parts

R114-5430	Overhaul Kit - Roller
R117-0957	Shaft - Front Roller - 27" Units
R114-3717	Seal
R112-7494	Seal
R112-5290	Bearing - Stainless
R114-3745	Locknut - Bearing - Stainless
R302-5	Fitting - Grease

Baber Turf Equipment Co.

Unit 6 / 10 Firth Street Auckland, 2113
09 294 6040

<https://baber.rrproducts.com/>