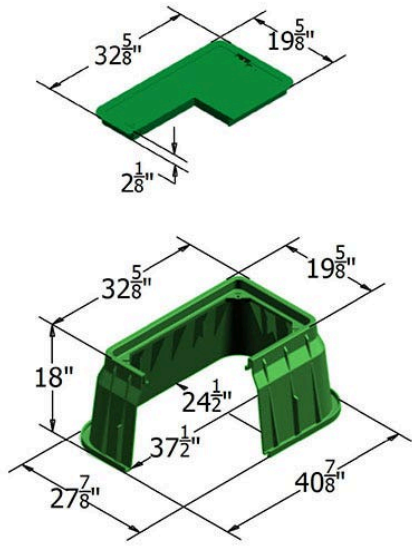




# Carson Valve Box w/Lid 1730 - Green

## ICV Lblt

RGC17301064



### Specifications

Manufacturer

Carson

**Baber Turf Equipment Co.**

Unit 6 / 10 Firth Street Auckland, 2113

09 294 6040

<https://baber.rrproducts.com/>