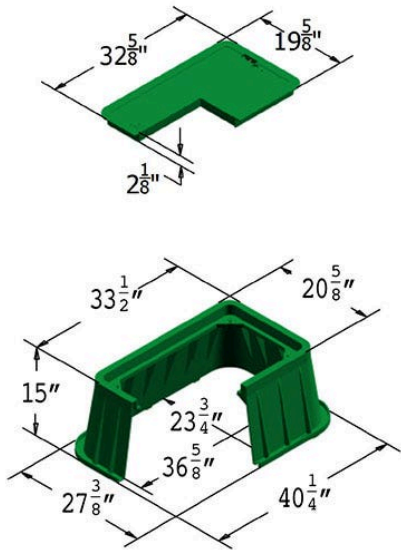




Carson Valve Box w/Lid 1730 - Green

Blank Lblt

RGC17301111



Specifications

Manufacturer

Carson

Baber Turf Equipment Co.

Unit 6 / 10 Firth Street Auckland, 2113

09 294 6040

<https://baberrrproducts.com/>