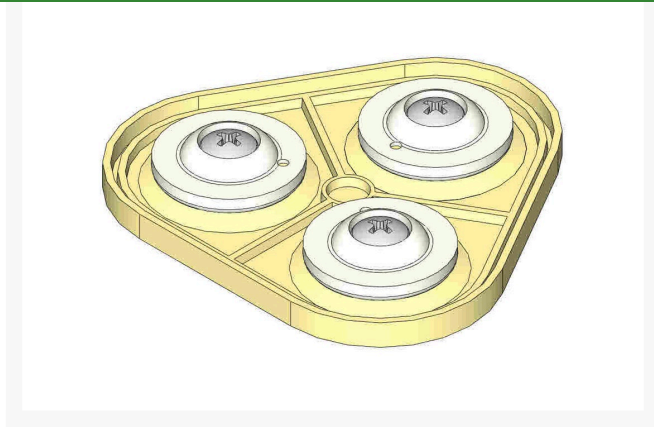
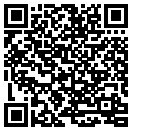




Shurflo Pressure Switch Kit - Viton

RHY94-375-05



Details

Standard pump 60 psi Demand Switch 1.8 GPM To
Fit: RHY8000-543-236

Specifications

Manufacturer

Pentair Shurflo

Baber Turf Equipment Co.

Unit 6 / 10 Firth Street Auckland, 2113

09 294 6040

<https://baber.rrproducts.com/>