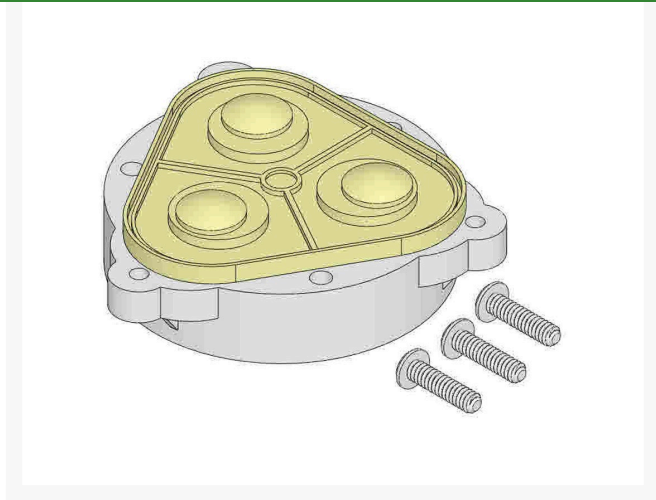




Shurflo Diaphragm w/Drive Housing - New Style

RHY94-385-32



Specifications

Manufacturer	Pentair Shurflo
Manufacturer's Model No	94-385-32

Baber Turf Equipment Co.

Unit 6 / 10 Firth Street Auckland, 2113

09 294 6040

<https://baber.rrproducts.com/>