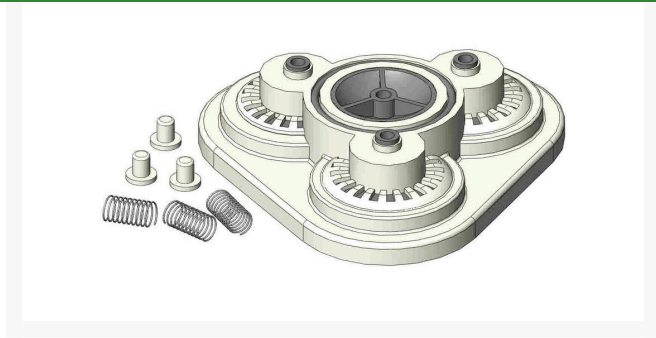




Shurflo Bypass Valve Assembly

RHY94-391-09



Specifications

Manufacturer

Pentair Shurflo

Manufacturer's

94-391-09

Model No

Baber Turf Equipment Co.

Unit 6 / 10 Firth Street Auckland, 2113

09 294 6040

<https://baber.rrproducts.com/>