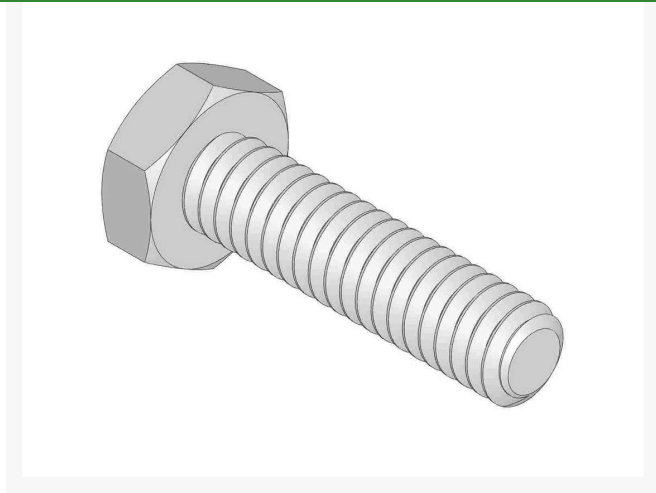




# Bolt - Hex HD 1/4-20 x 1 GR2

RP1001-1



## Specifications

Manufacturer

R&R Products