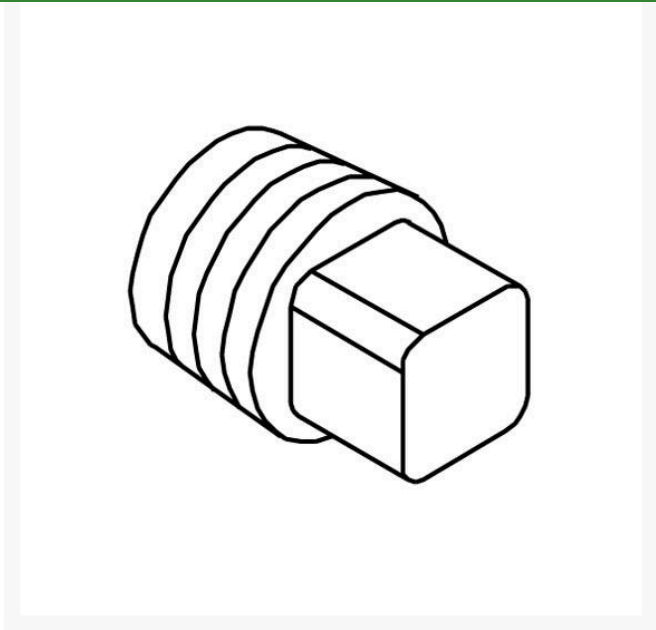




B-S Plug-Oil Drain

RS690946



Details

A magnetic oil drain plug is recommended with Oil Gard. 1/2 turn oil drain fitting makes oil changes easier. Models (horizontal crankshaft) - Vanguard Twin, 3/8 x 18 NPTF.

Replaces

R&R Products	RS91084
--------------	---------

Specifications

Manufacturer	Briggs & Stratton
Manufacturer's	690946
Model No	