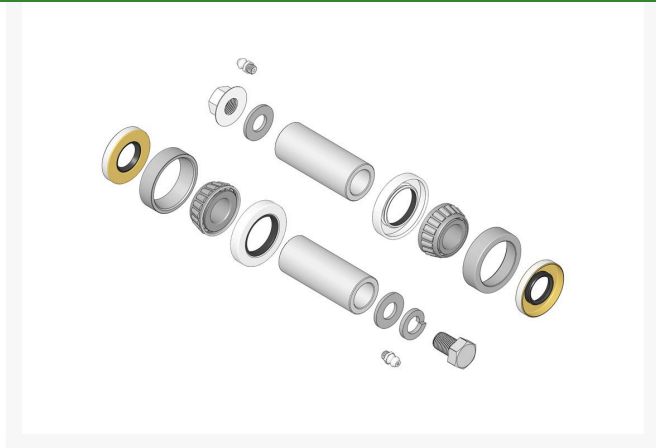




Overhaul Kit - Roller

R100180



Details

Includes 2 ea.: R253-117 Seals, R253-122 Seals, R254-78 Bearings, R254-79 Bearing Cups, R29-3900 Wear Sleeves, R302-5 Grease Fittings, R453017 Washers; 1 ea.: R32128-31 Locknut, R3213-20 Bolt, & R3253-7 Lock Washer

Specifications

Manufacturer

R&R Products

Fits Models

Toro HTM

Toro Turf Pro

Replacement Parts

R253-117	Seal - Outer Triple Lip
R253-122	Seal
R254-78	Tapered Bearing Cone
R254-79	Cup - Bearing
R29-3900	Sleeve - Wear Roller
R302-5	Fitting - Grease
R32128-31	Locknut - 1/2-20 Flanged
R3213-20	Bolt - 1/2-20 x 3/4 Gr 5 Hex
R3253-7	Washer - Lock 1/2
R453017	Washer - Flat 1/2

Baber Turf Equipment Co.

Unit 6 / 10 Firth Street Auckland, 2113

09 294 6040

<https://baber.rrproducts.com/>