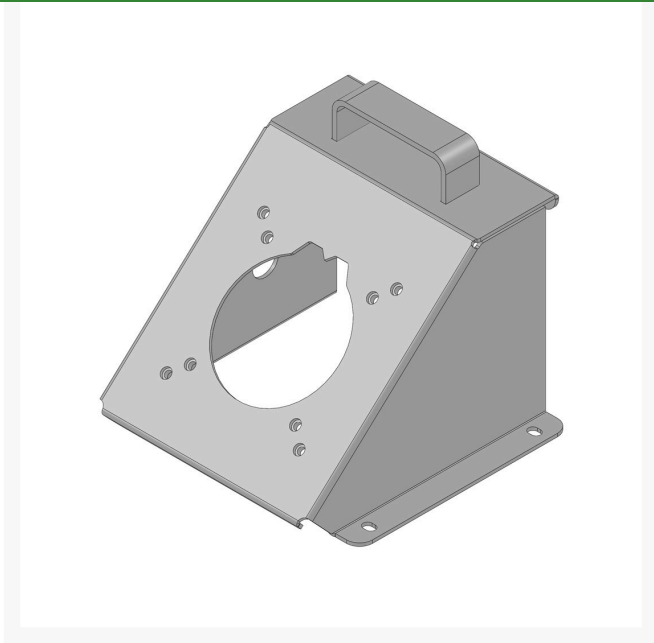




Support - Guide

R300305



Specifications

Manufacturer

R&R Products