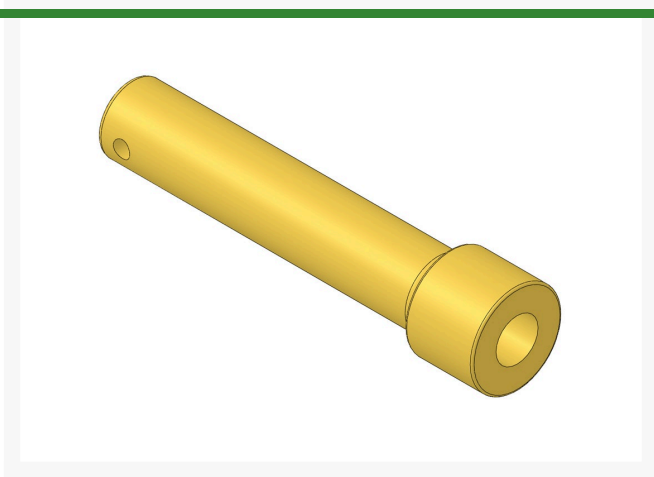




## Mandrel - Bearing

R303558M



### Details

R&R Mandrels allow proper installation of races, seals, bushings and bearings. Tools are constructed of solid steel and precision machined for exact fit.

### Specifications

Manufacturer

R&R Products

**Baber Turf Equipment Co.**

Unit 6 / 10 Firth Street Auckland, 2113

09 294 6040

<https://baber.rrproducts.com/>