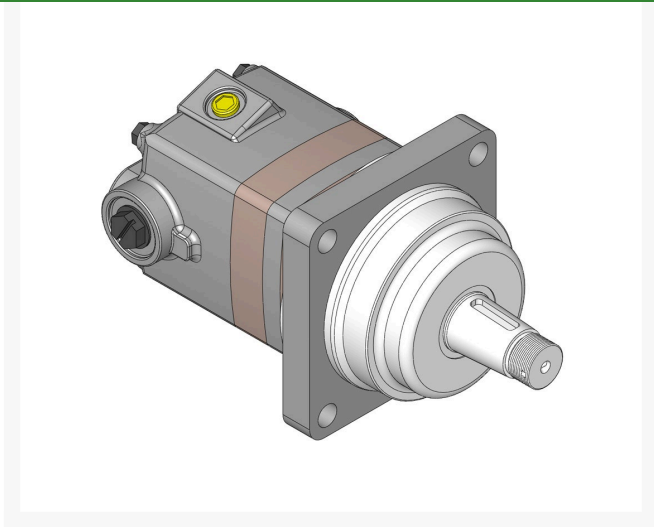




# Hydraulic Motor - Wheel Front

R36-5610



## Replaces

R&R Products

R29-1010, R33-3400,  
R33-3490, R33-3520,  
R33-3590, R56-6800

Toro

29-1010, 33-3400,  
33-3490, 33-3520,  
33-3590

## Specifications

Manufacturer

R&R Products

**Baber Turf Equipment Co.**

Unit 6 / 10 Firth Street Auckland, 2113

09 294 6040

<https://baber.rrproducts.com/>