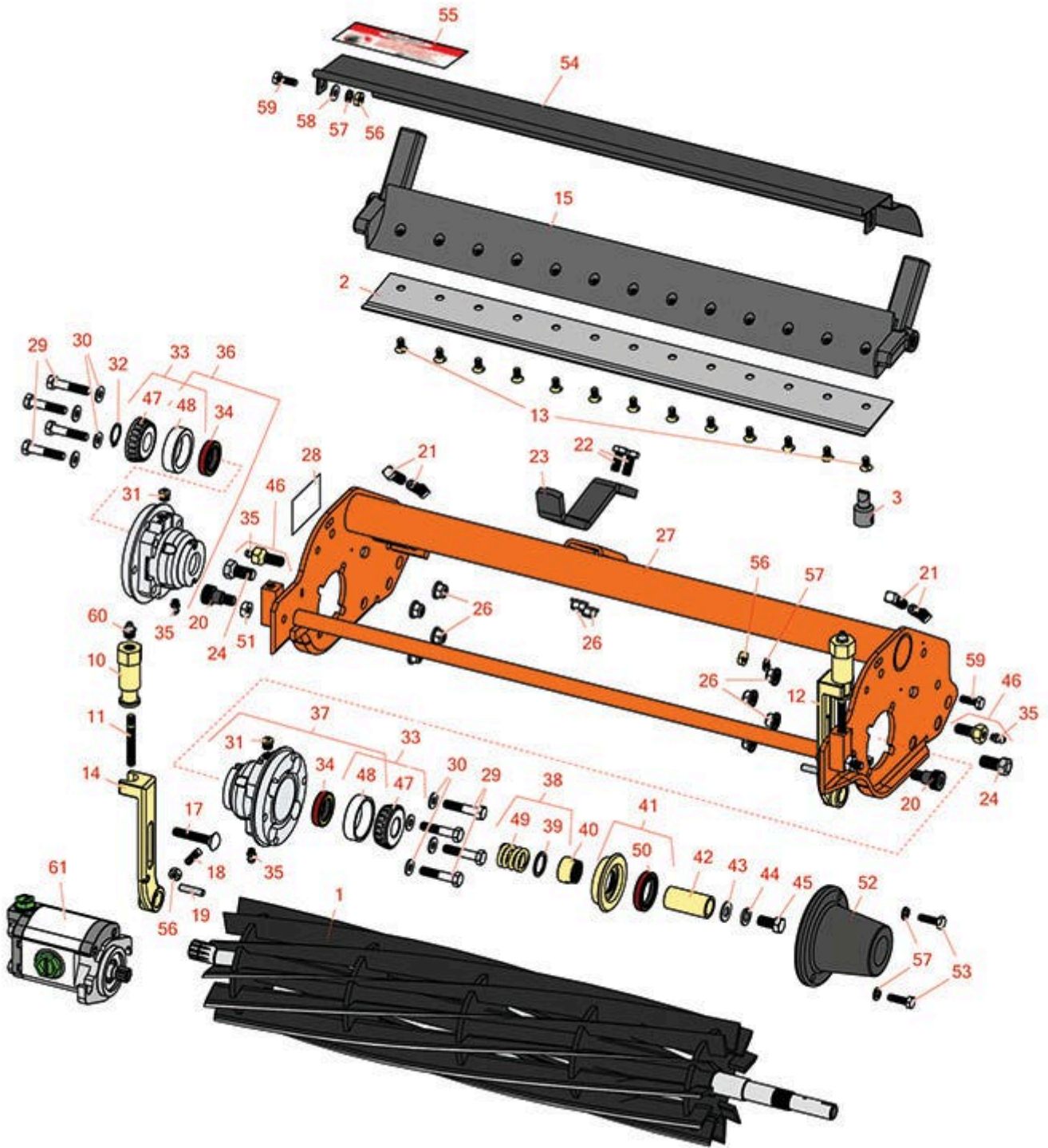




Replaces Jacobsen GP400 Parts

Cutting Unit
Reel & Bedknife



All original equipment manufacturers names and part numbers are used for identification purposes only, and we are in no way implying that our products are original equipment parts. Prices subject to change without notice.



Replaces Jacobsen GP400 Parts

Cutting Unit
Reel & Bedknife



Item No	R&R Part No.	OEM Part No.	Description	Qty Req	Order Quantity
---------	--------------	--------------	-------------	---------	----------------

R&R Reels, Lifetime Guaranteed

1	R503319	5001095, 5003053, 503319	Reel - 7 Blade LH	1	
1	R503375	5001099, 503375	Reel - 9 Blade LH	1	
1	R101357		Reel - 14 Blade	1	
1	R506636	5000028, 5001101, 506636	Reel - 11 Blade LH	1	

R&R Bedknives, Lifetime Guaranteed

2	R5002771	5002771	Bedknife - Low Cut	1	
2	R503477	101261, 503027, 503477, 549397	Bedknife - Thick .156-.438 HOC	1	
2	R503478	101260, 503028, 503478, 549504	Bedknife - Thin .125-.219 HOC	1	
2	R503479	503029, 503479	Bedknife - Tournament .094-.156 HOC	1	

R&R Razor Tool Steel Bedknives, Lifetime Guaranteed

2	R101520		Bedknife - Razor Tool Steel - 22 Micro Cut	1	
2	R101521		Bedknife - Razor Tool Steel - 22 Tournament Cut	1	

Service Tools

3	R101272T		Bedknife Screw Driver Tool	0	
---	----------	--	----------------------------	---	--

Tech Note: Easily install and remove bed knife screws with the help of a ratchet. Tool manufactured with hardened alloy steel.:

All original equipment manufacturers names and part numbers are used for identification purposes only, and we are in no way implying that our products are original equipment parts. Prices subject to change without notice.



Replaces Jacobsen GP400 Parts

Cutting Unit
Reel & Bedknife



Item No	R&R Part No.	OEM Part No.	Description	Qty Req	Order Quantity
---------	--------------	--------------	-------------	---------	----------------

Other Parts Available

10	R365009	3005692, 365009, 365170, 441674	Knob - Adjusting Roller	2	
11	R343616	343616, 443102	Stud	2	
12	R153979	153979, 3008439	Bracket - Front Roller	1	
13	R101272	101272, 3009138, 402578, 800813	Screw - Bedknife 1/4-20 x 1/2	13	
14	R153980	153980, 3008438	Bracket - Front Roller	1	
15	R220278	121856, 220278, 5000415	Backing Bar - Cast	1	
17	R441674	441674	Screw - 5/16-18 x 1-3/4 Carriage	2	
18	R352737	352737	Screw - Set 1/4 x 7/8 Sq Head	2	
19	R461256	461256	Pin - 1/4 x 1	2	
20	R365246	365246	Bolt - Shoulder w/Nyloc Patch	2	
21	R412506	412503, 412506	Screw - Bed Bar Adjusting	4	
22	R400184	400184, 400194	Screw - 5/16-18 x 3/4 Hex	2	
23	R3010293	3010293	Stop - Mower	1	
24	R315298	315298	Bolt - Bed Bar	2	
26	R445795	445795	Nut - 5/16-18 Flanged	10	
27	R5002577	5002577	Frame - Reel	1	

All original equipment manufacturers names and part numbers are used for identification purposes only, and we are in no way implying that our products are original equipment parts. Prices subject to change without notice.



Replaces Jacobsen GP400 Parts

Cutting Unit
Reel & Bedknife



Item No	R&R Part No.	OEM Part No.	Description	Qty Req	Order Quantity
28	R1000997	1000997	Decal - Warning	1	
29	R400192	400192	Bolt - Hex HD 5/16-18 x 1-1/2	8	
30	R453009	3256-23, 452004, 452006, 452008, 453009	Washer - Flat 5/16 SAE	8	
31	R170714	170714, 471240, 471242	Fitting - Pressure Relief	2	
32	R458013	458013	Ring - Retaining	1	
33	R500534	500534, R500534	Bearing - with Cup	2	
34	R336962	336962	Seal	2	
35	R302-5	302-5, 471214, 471223, 471226	Fitting - Grease	4	
36	R1004756	1004756	Housing - Bearing Drive End	1	
<i>Tech Note: Includes: R336962 Seal, R170714 Fitting, R302-5 Zerk & R254-79 Cup:</i>					
37	R164144	1000480, 163397, 164144, 2000060	Housing - Reel Bearing	1	
<i>Tech Note: Includes R336962 Seal, R302-5 Zerk, R170714 Relief Fitting & R254-79 Cup:</i>					
38	R5002151	5002151	Hardware Kit - Spring/Washer	1	
<i>Tech Note: Includes 1 ea: R304745 Washer, R363047 Spring:</i>					
39	R304745	304745	Washer - Reel	1	
40	R364900	364900	Nut - Reel Tension	1	

All original equipment manufacturers names and part numbers are used for identification purposes only, and we are in no way implying that our products are original equipment parts. Prices subject to change without notice.



Replaces Jacobsen GP400 Parts

Cutting Unit
Reel & Bedknife



Item No	R&R Part No.	OEM Part No.	Description	Qty Req	Order Quantity
41	R163398	163398, 163892	Seal - Spacer Assy	1	
42	R367164	367164	Spacer - Reel	1	
43	R453011	453011	Washer - Flat 3/8 SAE Y/Zinc	1	
44	R3254-6	3254-6, 446140, 446142	Washer - Lock 3/8	1	
45	R400294	400294	Screw - 3/8 24 x 3/4 Hex C/Zinc	1	
46	R345470	1002226, 345470	Bolt - Rear Roller 7/16-20	2	
<i>Tech Note: Incl. Grease Zerk:</i>					
46	R1002224	1002224	Bolt - Rear Roller 3/8-24	2	
<i>Tech Note: Incl Grease Zerk:</i>					
47	R254-78	254-78, 385174, 4121174, 4135152	Tapered Bearing Cone	2	
48	R254-79	254-79, 4121175	Cup - Bearing	2	
<i>Tech Note: Use R254-79M installation mandrel to properly install race.:</i>					
49	R363047	348846, 363047	Spring - Reel	1	
50	R337677	315257, 337677	Seal - Oil	1	
51	R443106	443106	Nut - 5/16-18 Y/Zinc Plated	2	
52	R2000065	2000065	Weight - Counter	1	
53	R321-5	321-5, 400110	Bolt - Hex HD 1/4-20 x 7/8	2	

All original equipment manufacturers names and part numbers are used for identification purposes only, and we are in no way implying that our products are original equipment parts. Prices subject to change without notice.



Replaces Jacobsen GP400 Parts

*Cutting Unit
Reel & Bedknife*



Item No	R&R Part No.	OEM Part No.	Description	Qty Req	Order Quantity
54	R2810043	2810043	Shield - Grass	1	
55	R354083	354083, 361877, 4127335	Decal - Danger	2	
56	R443102	443102	Nut - 1/4-20 Yellow Zinc	4	
57	R3253-3	3253-3, 446128, 446130	Washer - Lock 1/4	6	
58	R453023	453023	Washer - Flat 1/4	2	
59	R403782	400018, 403782	Screw - 1/4-20 x 3/4 Truss Head	2	
60	R471219	366852, 471219	Zerk - Grease	2	
61	R2701710	2701710	Motor - Reel Drive	3	

All original equipment manufacturers names and part numbers are used for identification purposes only, and we are in no way implying that our products are original equipment parts. Prices subject to change without notice.