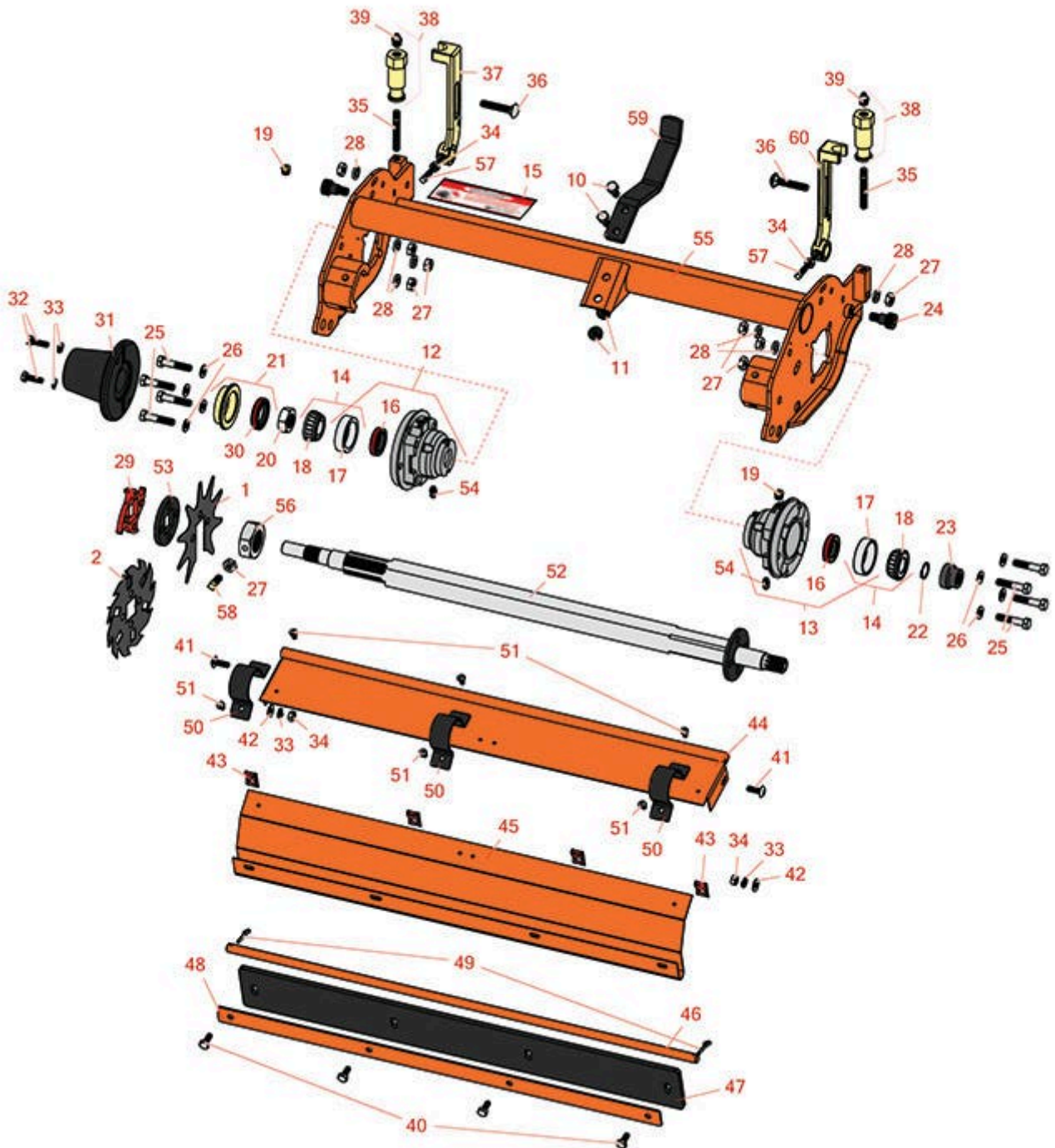




# Replaces Jacobsen GP400 Parts

Verti-Cut Unit

Verti-Cut Reel & Frame



All original equipment manufacturers names and part numbers are used for identification purposes only, and we are in no way implying that our products are original equipment parts. Prices subject to change without notice.



# Replaces Jacobsen GP400 Parts

Verti-Cut Unit

Verti-Cut Reel & Frame



Item No	R&R Part No.	OEM Part No.	Description	Qty Req	Order Quantity
---------	--------------	--------------	-------------	---------	----------------

### Verti-Cut Blades

1	<b>R335449</b>	335449	Blade - Vertical Slotted	26	
2	<b>R101109C</b>		Verti-Cut Blade - Carbide Tipped 1mm	26	
2	<b>R101209C</b>		Verti-Cut Blade - Carbide Tipped 2mm	26	

### Other Parts Available

10	<b>R400184</b>	400184, 400194	Screw - 5/16-18 x 3/4 Hex	2	
11	<b>R445795</b>	445795	Nut - 5/16-18 Flanged	2	
12	<b>R164144</b>	1000480, 163397, 164144, 2000060	Housing - Reel Bearing	1	

*Tech Note: Includes R336962 Seal, R302-5 Zerk, R170714 Relief Fitting & R254-79 Cup:*

13	<b>R1004756</b>	1004756	Housing - Bearing Drive End	1	
----	-----------------	---------	-----------------------------	---	--

*Tech Note: Includes: R336962 Seal, R170714 Fitting, R302-5 Zerk & R254-79 Cup:*

14	<b>R500534</b>	500534, R500534	Bearing - with Cup	2	
15	<b>R354083</b>	354083, 361877, 4127335	Decal - Danger	2	
16	<b>R336962</b>	336962	Seal	2	
17	<b>R254-79</b>	254-79, 4121175	Cup - Bearing	2	

*Tech Note: Use R254-79M installation mandrel to properly install race.:*

18	<b>R254-78</b>	254-78, 385174, 4121174, 4135152	Tapered Bearing Cone	2	
----	----------------	---	----------------------	---	--

<p>All original equipment manufacturers names and part numbers are used for identification purposes only, and we are in no way implying that our products are original equipment parts. Prices subject to change without notice.</p>
--



# Replaces Jacobsen GP400 Parts

Verti-Cut Unit

Verti-Cut Reel & Frame



Item No	R&R Part No.	OEM Part No.	Description	Qty Req	Order Quantity
19	<b>R170714</b>	170714, 471240, 471242	Fitting - Pressure Relief	2	
20	<b>R444742</b>	444742	Nut - 3/4-16 Gripco Centerlock	1	
21	<b>R1003467</b>	1001102, 1003467	Seal - Spacer Assy	1	
22	<b>R458013</b>	458013	Ring - Retaining	1	
23	<b>R4247911</b>	162567, 337370, 4247911	Coupling - Hyd Motor - Glass Filled	1	
24	<b>R365246</b>	365246	Bolt - Shoulder w/Nyloc Patch	2	
25	<b>R400192</b>	400192	Bolt - Hex HD 5/16-18 x 1-1/2	8	
26	<b>R453009</b>	3256-23, 452004, 452006, 452008, 453009	Washer - Flat 5/16 SAE	8	
27	<b>R443106</b>	443106	Nut - 5/16-18 Y/Zinc Plated	8	
28	<b>R446136</b>	446134, 446136	Washer - Lock 5/16 Zinc	8	
30	<b>R337677</b>	315257, 337677	Seal - Oil	1	
31	<b>R2000065</b>	2000065	Weight - Counter	1	
32	<b>R321-5</b>	321-5, 400110	Bolt - Hex HD 1/4-20 x 7/8	2	
33	<b>R3253-3</b>	3253-3, 446128, 446130	Washer - Lock 1/4	2	
34	<b>R443102</b>	443102	Nut - 1/4-20 Yellow Zinc	4	
35	<b>R343616</b>	343616, 443102	Stud	2	

All original equipment manufacturers names and part numbers are used for identification purposes only, and we are in no way implying that our products are original equipment parts. Prices subject to change without notice.



# Replaces Jacobsen GP400 Parts

*Verti-Cut Unit*

*Verti-Cut Reel & Frame*



Item No	R&R Part No.	OEM Part No.	Description	Qty Req	Order Quantity
36	<b>R441674</b>	441674	Screw - 5/16-18 x 1-3/4 Carriage	2	
37	<b>R153980</b>	153980, 3008438	Bracket - Front Roller	2	
38	<b>R365009</b>	3005692, 365009, 365170, 441674	Knob - Adjusting Roller	2	
39	<b>R471219</b>	366852, 471219	Zerk - Grease	2	
40	<b>R400106</b>	400106	Bolt - Hex HD 1/4-20 x 5/8	4	
41	<b>R404018</b>	404018	Screw - Truss Head 1/4 - 20 x 3/4	2	
42	<b>R453023</b>	453023	Washer - Flat 1/4	2	
43	<b>R445260</b>	445260	Nut - 1/4-20 Tinnerman	4	
44	<b>R3009922</b>	3009922	Shield - Front	1	
45	<b>R3005373</b>	3005373	Shield - Rear	1	
46	<b>R351521</b>	351521	Rod - V-Cut Grass Shield	1	
47	<b>R351522</b>	351522	Scraper - Rubber V-Cut	1	
48	<b>R351526</b>	351526	Retainer - Scraper	1	
49	<b>R460026</b>	460026	Pin - Cotter 1/8 x 3/4	2	
50	<b>R351520</b>	351520	Clip - V-Cut Shield	3	
51	<b>R409020</b>	409020	Screw - NO.10 x 3/8 Slotted	6	
52	<b>R131161</b>	131161	Shaft - 22 in Vertical Mower	1	
53	<b>R352221</b>	352221	Spacer - Nylon V-Cut Shaft	77	
54	<b>R302-5</b>	302-5, 471214, 471223, 471226	Fitting - Grease	2	

All original equipment manufacturers names and part numbers are used for identification purposes only, and we are in no way implying that our products are original equipment parts. Prices subject to change without notice.



# Replaces Jacobsen GP400 Parts

*Verti-Cut Unit*

*Verti-Cut Reel & Frame*



Item No	R&R Part No.	OEM Part No.	Description	Qty Req	Order Quantity
55	<b>R5002577</b>	5002577	Frame - Reel	1	
56	<b>R352437</b>	352437	Nut - V-Cut Shaft	1	
57	<b>R352737</b>	352737	Screw - Set 1/4 x 7/8 Sq Head	2	
58	<b>R412017</b>	412017	Screw - Sq. HD Set	1	
59	<b>R3010293</b>	3010293	Stop - Mower	1	
60	<b>R153979</b>	153979, 3008439	Bracket - Front Roller	1	

All original equipment manufacturers names and part numbers are used for identification purposes only, and we are in no way implying that our products are original equipment parts. Prices subject to change without notice.