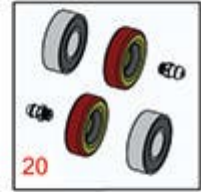
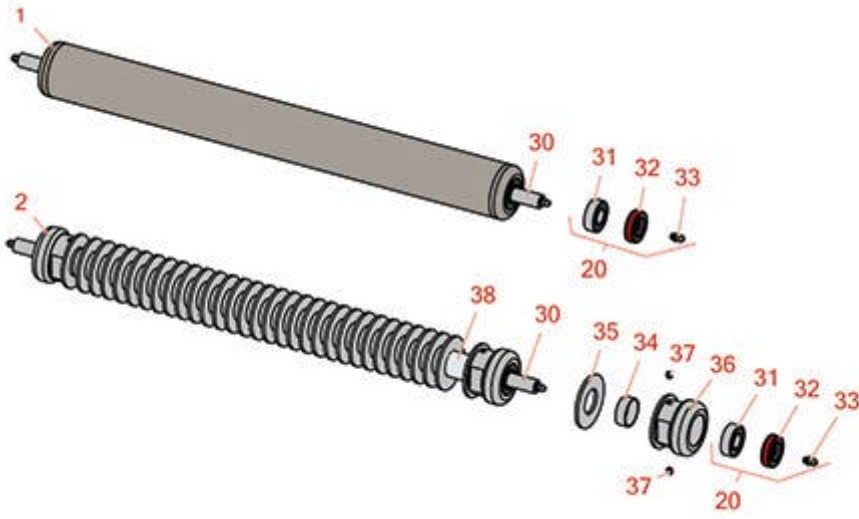




Replaces John Deere 22 Greens Mower

Parts

Cutting Unit
Rollers



All original equipment manufacturers names and part numbers are used for identification purposes only, and we are in no way implying that our products are original equipment parts. Prices subject to change without notice.



Replaces John Deere 22 Greens Mower

Parts

Cutting Unit
Rollers



Item No	R&R Part No.	OEM Part No.	Description	Qty Req	Order Quantity
R&R Rollers					
1	R101281		Roller - Smooth Tubular Steel	0	
<i>Detail Description: Constructed with a through shaft and greasable ball bearings.:</i>					
2	RET11502R		Roller - Grooved Repairable Steel	0	
<i>Detail Description: Constructed with a through shaft and greasable ball bearings, this roller can be repaired by unscrewing the ends and replacing the series of washers and spacers.:</i>					
Overhaul Kits					
20	R100130		Overhaul Kit - Roller	0	
<i>Detail Description: Includes 2 ea.: R302-5 Grease Fittings, R303558 Bearings, & R305115 Seals:</i>					
Other Parts Available					
30	R500516	ET15221	Shaft - 2-3/8 Grooved Roller	1	
31	R303558	ET15220	Bearing - Roller	2	
31	RG-43	M93189	Bearing - Roller	2	
32	R305115	ET15219	Seal - Roller	2	
32	RET11033	ET11033	Seal	2	
33	R302-5	JD7797, JD7842, JD7844	Fitting - Grease	2	
34	R150651		Spacer - 2-3/8 Roller	34	
35	R150653		Washer - 2-3/8 Roller	0	
36	R150665		Roller End - 2-3/8 Repairable	2	
37	R150690		Screw - Set 1/4-20 x 1/4	4	
38	R150656		Tube - Threaded RET11502R	1	

All original equipment manufacturers names and part numbers are used for identification purposes only, and we are in no way implying that our products are original equipment parts. Prices subject to change without notice.