

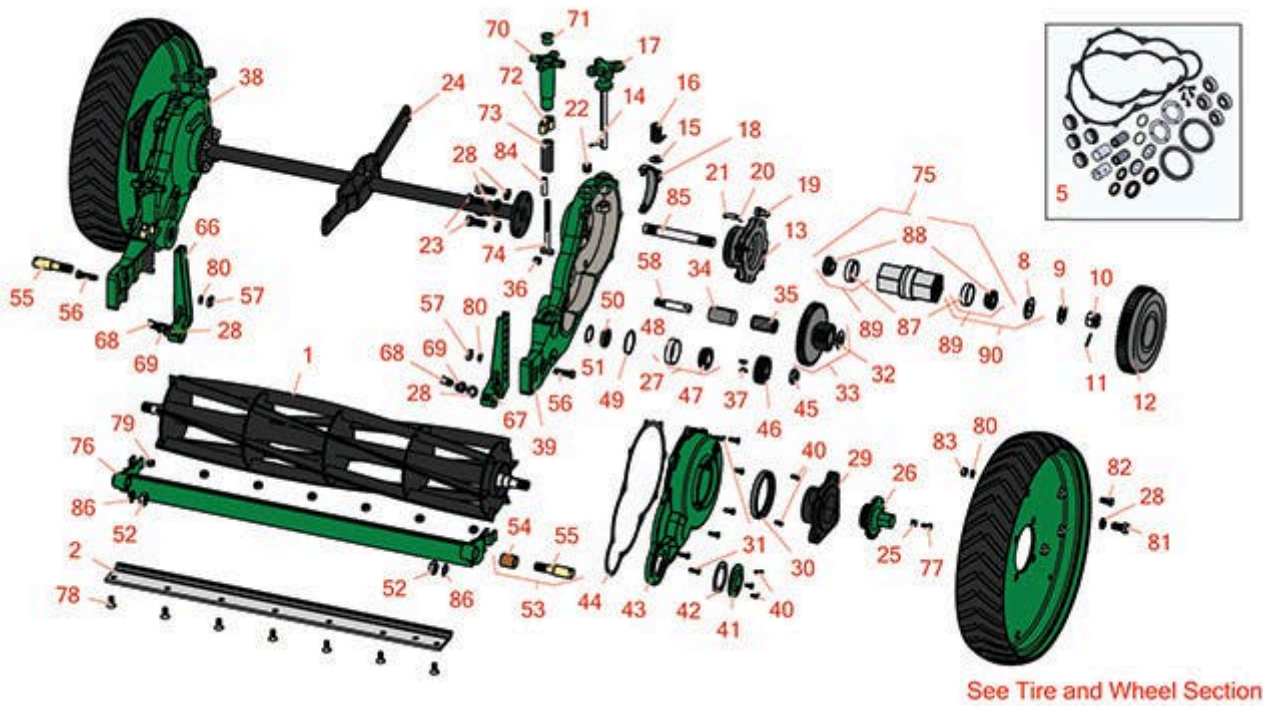


Replaces R&R Products Power Lift

5133GD Parts

Premier Cutting Unit

Reel & Bedknife



All original equipment manufacturers names and part numbers are used for identification purposes only, and we are in no way implying that our products are original equipment parts. Prices subject to change without notice.



Replaces R&R Products Power Lift

5133GD Parts

Premier Cutting Unit
Reel & Bedknife



Item No	R&R Part No.	OEM Part No.	Description	Qty Req	Order Quantity
---------	--------------	--------------	-------------	---------	----------------

R&R Reels, Lifetime Guaranteed

1	R502676	R012618, R108125	Reel - 5 Blade	1
---	----------------	---------------------	----------------	---

Detail Description: R&R Reel blades are expertly crafted from premium high carbon-boron alloy steel, heat-treated to perfectly complement both R&R and OEM bedknives. Each reel undergoes precision cylindrical grinding on bearing surfaces, followed by relief grinding for optimal performance. Advanced computer balancing ensures extended reel and bearing life. Backed by our lifetime guarantee against defects in materials and craftsmanship under normal use, R&R Reels deliver unmatched durability and cutting precision you can trust.:

1	R502671	R011150, R108127	Reel - 6 Blade	1
---	----------------	---------------------	----------------	---

Detail Description: R&R Reel blades are expertly crafted from premium high carbon-boron alloy steel, heat-treated to perfectly complement both R&R and OEM bedknives. Each reel undergoes precision cylindrical grinding on bearing surfaces, followed by relief grinding for optimal performance. Advanced computer balancing ensures extended reel and bearing life. Backed by our lifetime guarantee against defects in materials and craftsmanship under normal use, R&R Reels deliver unmatched durability and cutting precision you can trust.:

1	R502672	R502672G	Reel - 8 Blade	1
---	----------------	----------	----------------	---

Detail Description: R&R Reel blades are expertly crafted from premium high carbon-boron alloy steel, heat-treated to perfectly complement both R&R and OEM bedknives. Each reel undergoes precision cylindrical grinding on bearing surfaces, followed by relief grinding for optimal performance. Advanced computer balancing ensures extended reel and bearing life. Backed by our lifetime guarantee against defects in materials and craftsmanship under normal use, R&R Reels deliver unmatched durability and cutting precision you can trust.:

1	R502675	R012619, R108100	Reel - 10 Blade	1
---	----------------	---------------------	-----------------	---

Detail Description: R&R Reel blades are expertly crafted from premium high carbon-boron alloy steel, heat-treated to perfectly complement both R&R and OEM bedknives. Each reel undergoes precision cylindrical grinding on bearing surfaces, followed by relief grinding for optimal performance. Advanced computer balancing ensures extended reel and bearing life. Backed by our lifetime guarantee against defects in materials and craftsmanship under normal use, R&R Reels deliver unmatched durability and cutting precision you can trust.:

R&R Bedknives, Lifetime Guaranteed

2	R325163	R101250, R101250L	Bedknife - 30" 7 Hole	1
---	----------------	----------------------	-----------------------	---

All original equipment manufacturers names and part numbers are used for identification purposes only, and we are in no way implying that our products are original equipment parts. Prices subject to change without notice.



Replaces R&R Products Power Lift

5133GD Parts

Premier Cutting Unit
Reel & Bedknife



Item No	R&R Part No.	OEM Part No.	Description	Qty Req	Order Quantity
---------	--------------	--------------	-------------	---------	----------------

Detail Description: R&R Bedknives are manufactured from high carbon-boron alloy steel and then hardened to RC46-49 to match the temper of our reel blades and original equipment reels. Bedknives are surface ground on the top and front edge and straightened three times before being packaged with oil for rust prevention. All R&R Bedknives now have an increased front edge grind for added life. All R&R Bedknives are guaranteed against defects in material and workmanship under normal use for the life of the part.:

Overhaul Kits & Service Tools

5	R500600	R009293, R503548	Overhaul Kit - Cutting Unit	0	
---	----------------	---------------------	-----------------------------	---	--

Detail Description: Includes 18 ea: R407706 Screws; 6 ea: R254-78 Bearings, R254-79 Bearing Cups; 2 ea: R302755 Cups, R311957 Rings, R315872 Seals, R315873 Seals, R315876 Gaskets, R315914 Bearings, R315928 Gaskets, R315967 Seals, R315977 Bearings; 1 ea: R315910 Spacer R315978 sleeve, R328062 Seal;

Other Parts Available

8	R311957		Ring - Nilos	2	
---	----------------	--	--------------	---	--

9	R453022	R01-166-0480, R01-166-1220, R21-3880, R217-21, R3-7471, R30-8550, R30-9110, R3256-28, R3256-44, R46-9030	Washer - 3/4 SAE	2	
---	----------------	---	------------------	---	--

10	R445686		Nut - 3/4-16 Castle	2	
----	----------------	--	---------------------	---	--

11	R460028	R01-151-0230, R28-10-D, R3272-7, R48-7530	Pin - Cotter 1/8 x 1	2	
----	----------------	--	----------------------	---	--

12	R203976	R220275	Gear - Main Ductile Steel	2	
----	----------------	---------	---------------------------	---	--

13	R203975		Wheel - Pawl Carrier	2	
----	----------------	--	----------------------	---	--

14	R460026	R11M7059	Pin - Cotter 1/8 x 3/4	2	
----	----------------	----------	------------------------	---	--

All original equipment manufacturers names and part numbers are used for identification purposes only, and we are in no way implying that our products are original equipment parts. Prices subject to change without notice.



Replaces R&R Products Power Lift 5133GD Parts

*Premier Cutting Unit
Reel & Bedknife*



Item No	R&R Part No.	OEM Part No.	Description	Qty Req	Order Quantity
15	R315861		Washer	2	
16	R316765		Spring - RH	1	
16	R316766		Spring - LH	1	
17	R153215G	R009218	Handle - Release	2	
18	R203968	R241815	Fork - Release	2	
19	R204871		Pawl - Main Gear Ductile	8	
20	R460012		Pin - Cotter 3/32 x 3/4	8	
21	R315867		Pin - Hardened Pawl	8	
22	R472205		Plug - 3/8	2	
23	R400406		Bolt - Hex HD 1/2-13 x 1-1/4	8	
24	R108096G	R009215	Axle - Main Pgf	1	
25	R327676		Tab - Locking	2	
26	R204119G	R009222	Cap - Hub	2	
27	R500711		Bearing - with Cup	2	
28	R446154	R446152	Washer - Lock 1/2	10	
29	R203984		Hub - Ground Wheel	2	
30	R315967		Seal - Cover	2	
31	R407706		Screw - Housing Cover	18	
32	R302295		Washer	2	
33	R331834		Gear - Int. Ductile Steel	2	
34	R315978		Sleeve - Bearing	2	
35	R315977		Bearing - Int Gear	2	

All original equipment manufacturers names and part numbers are used for identification purposes only, and we are in no way implying that our products are original equipment parts. Prices subject to change without notice.



Replaces R&R Products Power Lift

5133GD Parts

Premier Cutting Unit
Reel & Bedknife



Item No	R&R Part No.	OEM Part No.	Description	Qty Req	Order Quantity
36	R472203		Plug - 1/4	2	
37	R315877		Key - Pinion Gear	4	
38	R154499G	R009216	Housing - Gear LH	1	
39	R154500G	R009217	Housing - Gear RH	1	
40	R408052		Screw - 12-24 x 1/2 Bind HD	10	
41	R352635G	R009224	Cap - Cover	2	
42	R315876		Gasket - Insp Plate	2	
43	R203986G	R009228	Cover - Housing	2	
44	R315928		Gasket - Cover	2	
45	R444742	R32146-20, R9150906, R915090P	Nut - 3/4-16 Gripco Centerlock	2	
<i>Tech Note: May use R3296-15 Nylock Nut alternate:</i>					
45	R3296-15	367029, R1503473, R32118-5, R32127-23, R32127-47, R367029, R445748, RG-371, RN101345	Locknut - 3/4-16 Nylon Jam	2	
46	R315843		Gear - Pinion	2	
47	R315914	R07098, R150-0, R70030-50021	Tapered Bearing Cone	2	
48	R302755	R07204, R151-0, R70030-50022	Cup - Bearing	2	

All original equipment manufacturers names and part numbers are used for identification purposes only, and we are in no way implying that our products are original equipment parts. Prices subject to change without notice.



Replaces R&R Products Power Lift

5133GD Parts

Premier Cutting Unit
Reel & Bedknife



Item No	R&R Part No.	OEM Part No.	Description	Qty Req	Order Quantity
49	R315910		Spacer	1	
50	R315872	R336781, R339055	Seal - Reel	2	
51	R315873		Seal - Washer	2	
52	R443828	R01-191-1018, R3220-6, R915089P	Nut - 5/8-18 Hex	2	
53	R500264		Stud - with Bushing	2	
54	R545723		Bushing - For Backing Stud	2	
55	R315909		Stud - Bedknife Backing	2	
56	R400266		Bolt - Hex HD 3/8-16 x 1-1/2	2	
57	R444510		Nut - 3/8-16 Sq.	2	
58	R315851		Stud - Intermediate	2	
66	R500763G	R009219	Bracket - Roller LH	1	
67	R500764G	R009220	Bracket - Roller RH	1	
68	R412003		Screw - 1/2-13 x 1-1/2 Sq HD	2	
69	R443818	R01-191-0813, R3218-18, R3218-5	Nut - 1/2-13 Hex Jam Zinc	2	
70	R500548G	R009221	Handle - Adjusting	2	
71	R312794	R344708	Plug - Adj. Handle	2	
72	R315964		Spring - Friction	2	
73	R315966		Spring - Adjusting	2	

Detail Description: Spring overall length is 2-3/4":

All original equipment manufacturers names and part numbers are used for identification purposes only, and we are in no way implying that our products are original equipment parts. Prices subject to change without notice.



Replaces R&R Products Power Lift

5133GD Parts

Premier Cutting Unit
Reel & Bedknife



Item No	R&R Part No.	OEM Part No.	Description	Qty Req	Order Quantity
73	R315844		Spring - Worn Reel	2	
<i>Detail Description: Special spring used for worn reels, 2-1/2" long:</i>					
74	R315965	R002715	Screw - Adjusting Fairway	2	
<i>Detail Description: 4-1/2" overall length:</i>					
75	R500236		Cylinder - Wheel	2	
<i>Detail Description: Includes 1 R500533 & R500534:</i>					
76	R130304G	R009211	Backing Bar - Bed Knife	1	
<i>Detail Description: Includes R545723:</i>					
77	R400106	R321-3, R513315, R908002P	Bolt - Hex HD 1/4-20 x 5/8	2	
78	R101270	R402698, R403757	Screw - Bedknife 3/8-24 x 13/16	7	
79	R101271	R445684, R445746	Nut - Bedknife	7	
80	R3254-6	446142, R01-166-0010, R01-166-0280, R01-166-0610, R12H304, R3253-5, R3254-18, R3290-223, R446140, R446142, R48-9370	Washer - Lock 3/8	2	
81	R400438	R3213-1	Bolt - Hex HD 1/2-20 x 1	0	
82	R400294		Screw - 3/8 24 x 3/4 Hex C/Zinc	0	

All original equipment manufacturers names and part numbers are used for identification purposes only, and we are in no way implying that our products are original equipment parts. Prices subject to change without notice.



Replaces R&R Products Power Lift

5133GD Parts

Premier Cutting Unit
Reel & Bedknife



Item No	R&R Part No.	OEM Part No.	Description	Qty Req	Order Quantity
83	R3219-3	R01-188-0624, R215-50, R22-13-BJD, R22-13-BJKD, R443112, R443812	Nut - 3/8-24	0	
84	R461406		Pin - Roll	2	
85	R545515		Stud - Ground Wheel	2	
86	R447224		Washer - Lock 5/8 Int Star Z	2	
87	R254-79	R01-103-0060, R01-103-0130, R1-633584, R252-106, R255820, R32-7800, R32-9590, R4121175, R70030-50301, R808088, RB4015, RG-372, RJD8226	Cup - Bearing	2	
<i>Detail Description: Use R254-79M installation mandrel to properly install race.:</i>					
88	R254-78	R01-102-0060, R01-102-0130, R1-633585, R255815, R32-7790, R32-9580, R385174, R4121174, R4135152, R70030-50302, R93-4813, RB4512, RG-373, RJD8188	Tapered Bearing Cone	2	

All original equipment manufacturers names and part numbers are used for identification purposes only, and we are in no way implying that our products are original equipment parts. Prices subject to change without notice.



Replaces R&R Products Power Lift

5133GD Parts

Premier Cutting Unit
Reel & Bedknife



Item No	R&R Part No.	OEM Part No.	Description	Qty Req	Order Quantity
89	R500534	R2208006, RPT230030, RZS482621	Bearing - with Cup	4	
<i>Detail Description: Kit includes: 1 ea R254-78- Bearing Cone & R254-79 Bearing Cone:</i>					
90	R500533		Bearing - w/Cup and Ring	2	

All original equipment manufacturers names and part numbers are used for identification purposes only, and we are in no way implying that our products are original equipment parts. Prices subject to change without notice.