

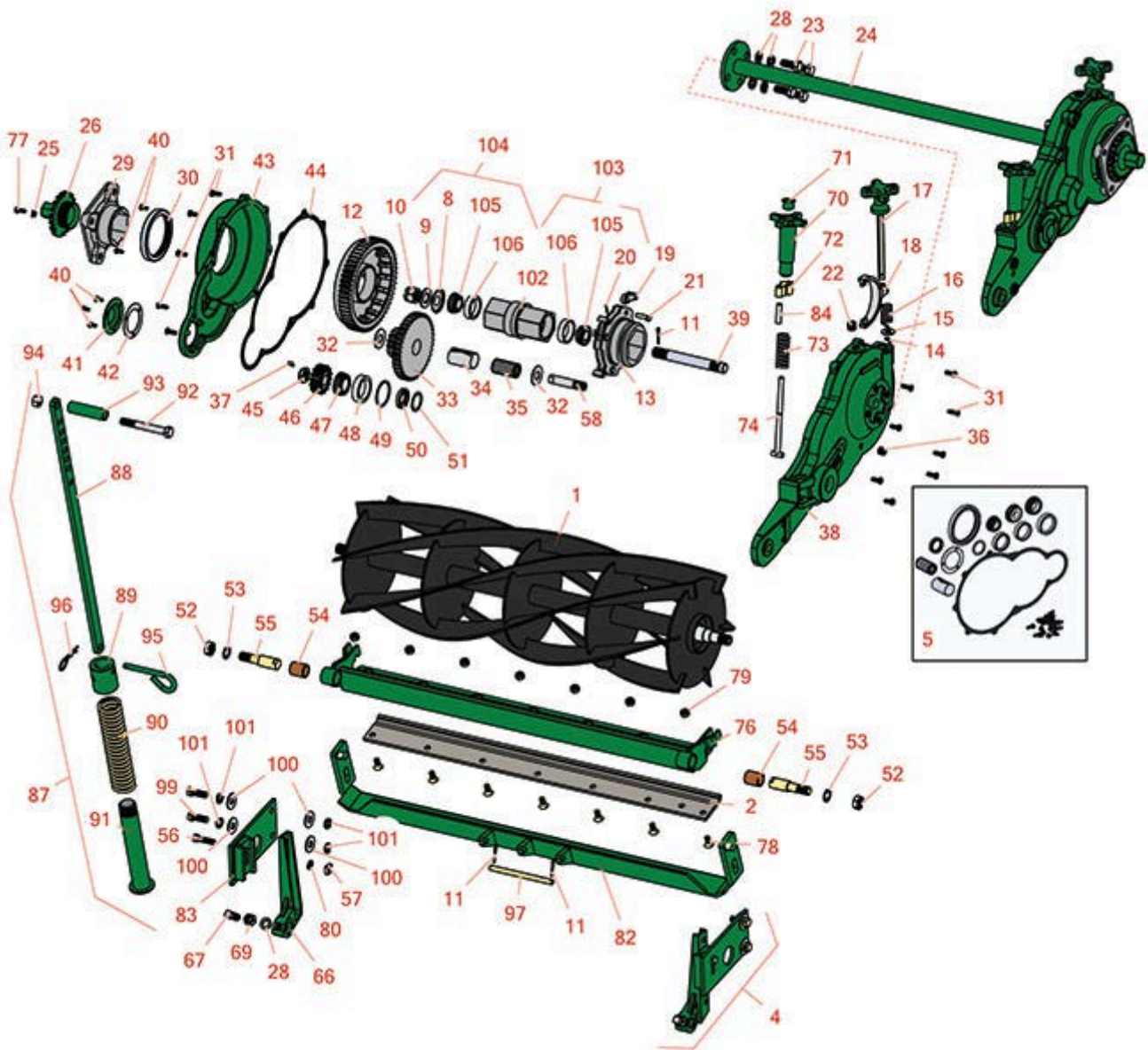


Replaces R&R Products Power Lift

5133GD Parts

Standard Cutting Unit

Reel & Bedknife



All original equipment manufacturers names and part numbers are used for identification purposes only, and we are in no way implying that our products are original equipment parts. Prices subject to change without notice.



Replaces R&R Products Power Lift

5133GD Parts

Standard Cutting Unit
Reel & Bedknife



Item No	R&R Part No.	OEM Part No.	Description	Qty Req	Order Quantity
---------	--------------	--------------	-------------	---------	----------------

R&R Reels, Lifetime Guaranteed

1	R101253		Reel - 6 Blade 10 in Dia	1	
---	----------------	--	--------------------------	---	--

Detail Description: R&R Reel blades are manufactured from high carbon-boron alloy steel and then hardened to RC46-49 to match the temper of our bedknives and original equipment bedknives. All R&R Reels are cylindrically ground on bearing surfaces and then relief ground. Reels are then precision computer balanced for extended bearing and reel life. R&R Products Reels are guaranteed against defects in material and workmanship for the life of the reel under normal use.:

1	R502673	R108347	Reel - 5 Blade 10 in	1	
---	----------------	---------	----------------------	---	--

Detail Description: R&R Reel blades are expertly crafted from premium high carbon-boron alloy steel, heat-treated to perfectly complement both R&R and OEM bedknives. Each reel undergoes precision cylindrical grinding on bearing surfaces, followed by relief grinding for optimal performance. Advanced computer balancing ensures extended reel and bearing life. Backed by our lifetime guarantee against defects in materials and craftsmanship under normal use, R&R Reels deliver unmatched durability and cutting precision you can trust.:

1	R502674	R108346	Reel - 4 Blade 10 in Dia.	1	
---	----------------	---------	---------------------------	---	--

Detail Description: R&R Reel blades are expertly crafted from premium high carbon-boron alloy steel, heat-treated to perfectly complement both R&R and OEM bedknives. Each reel undergoes precision cylindrical grinding on bearing surfaces, followed by relief grinding for optimal performance. Advanced computer balancing ensures extended reel and bearing life. Backed by our lifetime guarantee against defects in materials and craftsmanship under normal use, R&R Reels deliver unmatched durability and cutting precision you can trust.:

2	R325163	R101250, R101250L	Bedknife - 30" 7 Hole	1	
---	----------------	----------------------	-----------------------	---	--

Detail Description: R&R Bedknives are manufactured from high carbon-boron alloy steel and then hardened to RC46-49 to match the temper of our reel blades and original equipment reels. Bedknives are surface ground on the top and front edge and straightened three times before being packaged with oil for rust prevention. All R&R Bedknives now have an increased front edge grind for added life. All R&R Bedknives are guaranteed against defects in material and workmanship under normal use for the life of the part.:

Conversion Kits

4	R700480G		Conversion Kit - Skid to Roller	1	
---	-----------------	--	---------------------------------	---	--

Detail Description: Includes: 4 ea: R400336 Bolt, R446146 Washer, R453013 Washer; 2 ea: R400266 Bolt, R444510 Nut, R3254-6 Washer; 1 ea: R154217 Bracket, R154218 Bracket, R500763 Bracket & R500764 Bracket:

All original equipment manufacturers names and part numbers are used for identification purposes only, and we are in no way implying that our products are original equipment parts. Prices subject to change without notice.



Replaces R&R Products Power Lift

5133GD Parts

Standard Cutting Unit
Reel & Bedknife



Item No	R&R Part No.	OEM Part No.	Description	Qty Req	Order Quantity
---------	--------------	--------------	-------------	---------	----------------

Overhaul Kits

5	R500605		Overhaul Kit - Cutting Unit	0	
---	----------------	--	-----------------------------	---	--

Detail Description: Includes 18 ea.: R407706 Screws; 4 ea.: R254-78 Bearings, R254-79 Bearing Cups; 2 ea.: R302755 Cups, R311957 Rings, R315872 Seals, R315873 Seals, R315876 Gaskets, R315914 Bearings, R315928 Gaskets, R315967 Seals, R315977 Bearings, R315978 Sleeves; 1 ea.: R315910 Spacer:

Other Parts Available

8	R311957		Ring - Nilos	2	
---	----------------	--	--------------	---	--

9	R453022	R01-166-0480, R01-166-1220, R21-3880, R217-21, R3-7471, R30-8550, R30-9110, R3256-28, R3256-44, R46-9030	Washer - 3/4 SAE	2	
---	----------------	---	------------------	---	--

10	R445686		Nut - 3/4-16 Castle	2	
----	----------------	--	---------------------	---	--

11	R460028	R01-151-0230, R28-10-D, R3272-7, R48-7530	Pin - Cotter 1/8 x 1	2	
----	----------------	--	----------------------	---	--

12	R203976	R220275	Gear - Main Ductile Steel	2	
----	----------------	---------	---------------------------	---	--

13	R203975		Wheel - Pawl Carrier	2	
----	----------------	--	----------------------	---	--

14	R460026	R11M7059	Pin - Cotter 1/8 x 3/4	2	
----	----------------	----------	------------------------	---	--

15	R315861		Washer	2	
----	----------------	--	--------	---	--

16	R316765		Spring - RH	1	
----	----------------	--	-------------	---	--

16	R316766		Spring - LH	1	
----	----------------	--	-------------	---	--

17	R153215G	R009218	Handle - Release	2	
----	-----------------	---------	------------------	---	--

All original equipment manufacturers names and part numbers are used for identification purposes only, and we are in no way implying that our products are original equipment parts. Prices subject to change without notice.



Replaces R&R Products Power Lift 5133GD Parts

Standard Cutting Unit
Reel & Bedknife



Item No	R&R Part No.	OEM Part No.	Description	Qty Req	Order Quantity
18	R203968	R241815	Fork - Release	2	
19	R204871		Pawl - Main Gear Ductile	8	
20	R460012		Pin - Cotter 3/32 x 3/4	8	
21	R315867		Pin - Hardened Pawl	8	
22	R472205		Plug - 3/8	2	
23	R400406		Bolt - Hex HD 1/2-13 x 1-1/4	8	
24	R108126G		Axle - Blitzer - Green	1	
25	R327676		Tab - Locking	2	
26	R204119G	R009222	Cap - Hub	2	
28	R446154	R446152	Washer - Lock 1/2	8	
29	R203984		Hub - Ground Wheel	2	
30	R315967		Seal - Cover	2	
31	R407706		Screw - Housing Cover	18	
32	R302295		Washer	2	
33	R331834		Gear - Int. Ductile Steel	2	
34	R315978		Sleeve - Bearing	2	
<i>Tech Note: Rotates in same direction of gear rotation:</i>					
35	R315977		Bearing - Int Gear	2	
36	R472203		Plug - 1/4	2	
37	R315877		Key - Pinion Gear	4	
38	R109550G		Housing - Gear LH Fits Pgr	1	
38	R109551G		Housing - Gear RH Fits Pgr	1	

All original equipment manufacturers names and part numbers are used for identification purposes only, and we are in no way implying that our products are original equipment parts. Prices subject to change without notice.



Replaces R&R Products Power Lift

5133GD Parts

Standard Cutting Unit
Reel & Bedknife



Item No	R&R Part No.	OEM Part No.	Description	Qty Req	Order Quantity
39	R545515		Stud - Ground Wheel	2	
40	R408052		Screw - 12-24 x 1/2 Bind HD	10	
41	R352635G	R009224	Cap - Cover	2	
42	R315876		Gasket - Insp Plate	2	
43	R203986G	R009228	Cover - Housing	2	
44	R315928		Gasket - Cover	2	
45	R444742	R32146-20, R9150906, R915090P	Nut - 3/4-16 Gripco Centerlock	2	
45	R3296-15	367029, R1503473, R32118-5, R32127-23, R32127-47, R367029, R445748, RG-371, RN101345	Locknut - 3/4-16 Nylon Jam	2	
46	R315843		Gear - Pinion	2	
47	R315914	R07098, R150-0, R70030-50021	Tapered Bearing Cone	2	
48	R302755	R07204, R151-0, R70030-50022	Cup - Bearing	2	
49	R315910		Spacer	1	
50	R315872	R336781, R339055	Seal - Reel	2	
51	R315873		Seal - Washer	2	

All original equipment manufacturers names and part numbers are used for identification purposes only, and we are in no way implying that our products are original equipment parts. Prices subject to change without notice.



Replaces R&R Products Power Lift 5133GD Parts

Standard Cutting Unit
Reel & Bedknife



Item No	R&R Part No.	OEM Part No.	Description	Qty Req	Order Quantity
52	R443828	R01-191-1018, R3220-6, R915089P	Nut - 5/8-18 Hex	2	
53	R447224		Washer - Lock 5/8 Int Star Z	2	
54	R545723		Bushing - For Backing Stud	2	
55	R315909		Stud - Bedknife Backing	2	
56	R400266		Bolt - Hex HD 3/8-16 x 1-1/2	2	
57	R444510		Nut - 3/8-16 Sq.	2	
58	R315851		Stud - Intermediate	2	
66	R500763G	R009219	Bracket - Roller LH	1	
66	R500764G	R009220	Bracket - Roller RH	1	
67	R412003		Screw - 1/2-13 x 1-1/2 Sq HD	2	
69	R443818	R01-191-0813, R3218-18, R3218-5	Nut - 1/2-13 Hex Jam Zinc	2	
70	R500548G	R009221	Handle - Adjusting	2	
71	R312794	R344708	Plug - Adj. Handle	2	
72	R315964		Spring - Friction	2	
73	R315966		Spring - Adjusting	2	
<i>Detail Description: Spring overall length is 2-3/4":</i>					
73	R315844		Spring - Worn Reel	2	
<i>Detail Description: Special spring used for worn reels, 2-1/2" long:</i>					
74	R316351		Screw - Adjusting Blitzer	2	
76	R130304G	R009211	Backing Bar - Bed Knife	1	

All original equipment manufacturers names and part numbers are used for identification purposes only, and we are in no way implying that our products are original equipment parts. Prices subject to change without notice.



Replaces R&R Products Power Lift

5133GD Parts

Standard Cutting Unit
Reel & Bedknife



Item No	R&R Part No.	OEM Part No.	Description	Qty Req	Order Quantity
<i>Detail Description: Includes R545723:</i>					
77	R400106	R321-3, R513315, R908002P	Bolt - Hex HD 1/4-20 x 5/8	2	
78	R101270	R402698, R403757	Screw - Bedknife 3/8-24 x 13/16	7	
79	R101271	R445684, R445746	Nut - Bedknife	7	
80	R3254-6	446142, R01-166-0010, R01-166-0280, R01-166-0610, R12H304, R3253-5, R3254-18, R3290-223, R446140, R446142, R48-9370	Washer - Lock 3/8	2	
82	R500238G		Skid - w/Pin Fits Blitzer - Green	1	
83	R154217G		Bracket - Support LH - Green	1	
83	R154218G		Bracket - Support RH - Green	1	
84	R461406		Pin - Roll	2	
87	R110030G		Lever Assy	1	
88	R335677G		Lever - Fits Blitzer	1	
89	R358414G		Nut - Adjusting Lever Green	1	
90	R316133		Spring - Lever Fits Blitzer	1	
91	R110031G		Tube - Outer Lever Assy	1	
92	R400456		Bolt - Handle	1	

All original equipment manufacturers names and part numbers are used for identification purposes only, and we are in no way implying that our products are original equipment parts. Prices subject to change without notice.



Replaces R&R Products Power Lift

5133GD Parts

Standard Cutting Unit
Reel & Bedknife



Item No	R&R Part No.	OEM Part No.	Description	Qty Req	Order Quantity
93	R319873G		Handle - Spring Lever	1	
94	R32146-11	R22-15-AJF, R22-15-BJFD, R32153-14, R32153-7, R443120	Locknut - 1/2-20 Center	1	
95	R318001G		Pin - Lock	1	
96	R460312	R30-8530, R3290-343, R460316	Pin - Hair Cotter	1	
97	R316478		Rod - Fits Blitzer Skid	1	
99	R400336		Bolt - Hex HD 7/16-14 x 1-1/4 GR5	1	
100	R453013	452008, R01-166-0140, R01-166-0700, R3256-5, R452008, R80-4850	Washer - Flat 7/16	4	
101	R446146	446148, R446148	Lock Washer - 7/16	4	
102	R500236		Cylinder - Wheel	2	
<i>Detail Description: Includes 1 R500533 & R500534:</i>					
103	R500534	R2208006, RPT230030, RZS482621	Bearing - with Cup	4	
<i>Detail Description: Kit includes: 1 ea R254-78- Bearing Cone & R254-79 Bearing Cone:</i>					
104	R500533		Bearing - w/Cup and Ring	2	

All original equipment manufacturers names and part numbers are used for identification purposes only, and we are in no way implying that our products are original equipment parts. Prices subject to change without notice.



Replaces R&R Products Power Lift 5133GD Parts

Standard Cutting Unit
Reel & Bedknife



Item No	R&R Part No.	OEM Part No.	Description	Qty Req	Order Quantity
105	R254-78	R01-102-0060, R01-102-0130, R1-633585, R255815, R32-7790, R32-9580, R385174, R4121174, R4135152, R70030-50302, R93-4813, RB4512, RG-373, RJD8188	Tapered Bearing Cone	0	
106	R254-79	R01-103-0060, R01-103-0130, R1-633584, R252-106, R255820, R32-7800, R32-9590, R4121175, R70030-50301, R808088, RB4015, RG-372, RJD8226	Cup - Bearing	0	

Detail Description: Use R254-79M installation mandrel to properly install race.:

All original equipment manufacturers names and part numbers are used for identification purposes only, and we are in no way implying that our products are original equipment parts. Prices subject to change without notice.