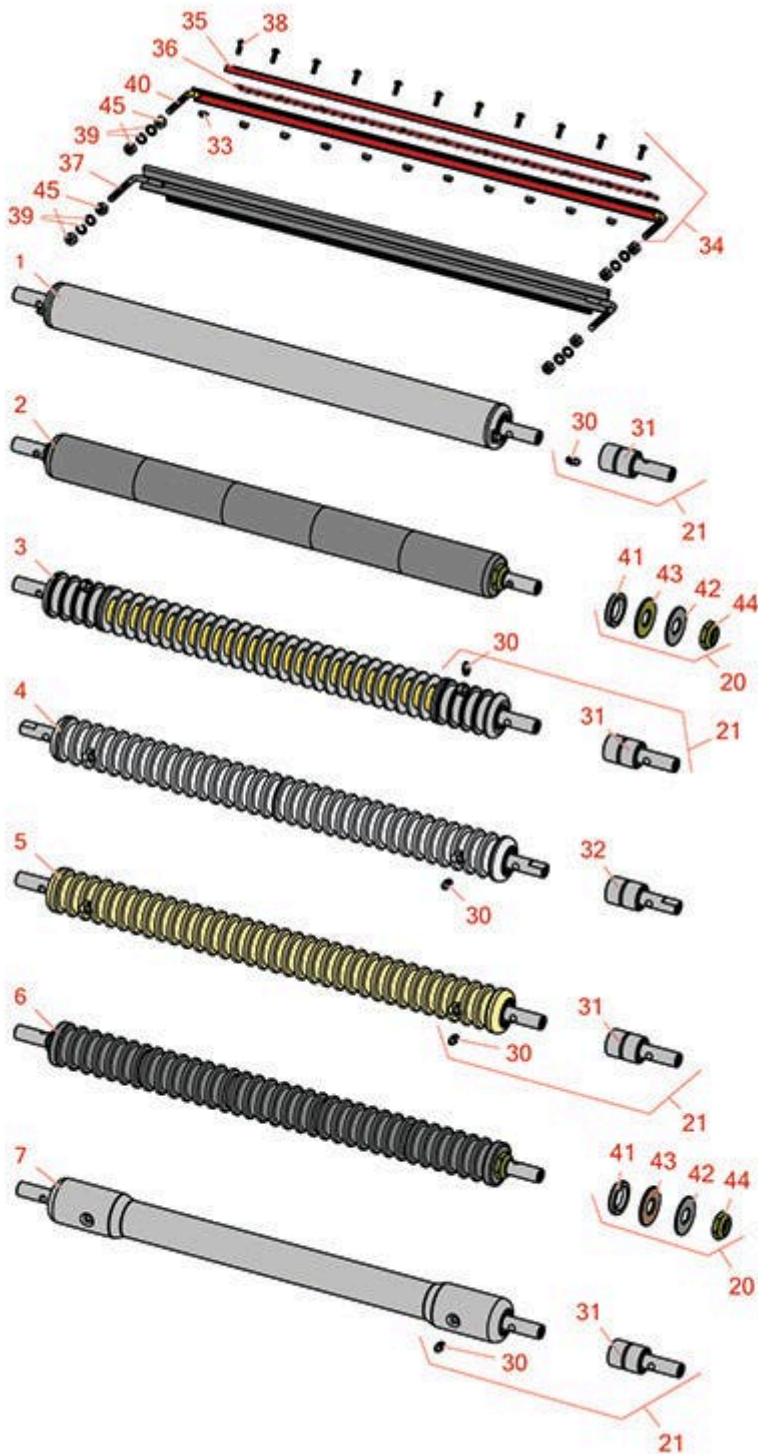




Replaces Toro Greensmaster 3000 Parts

SPA Cutting Unit - Models 04445, 04448 & 04450
Front Rollers



All original equipment manufacturers names and part numbers are used for identification purposes only, and we are in no way implying that our products are original equipment parts. Prices subject to change without notice.



Replaces Toro Greensmaster 3000 Parts

SPA Cutting Unit - Models 04445, 04448 & 04450
Front Rollers



Item No	R&R Part No.	OEM Part No.	Description	Qty Req	Order Quantity
R&R Front Rollers					
1	R21-6440	20-8950, 21-6440, 23-5110, 52-3170, Nov-80	Roller - Smooth Tubular Steel	0	
<i>Tech Note: This tubular steel roller uses greasable "water-pump" style bearings. :</i>					
2	R150340		Roller - Smooth UHMW Polyethylene	0	
<i>Tech Note: Machined from solid UHMW, this low maintenance roller uses a 1" solid stainless steel shaft and requires no grease. UHMW material prevents build-up of debris.:</i>					
3	R21-6540	21-6540	Roller - Grooved Repairable Steel	0	
<i>Tech Note: Constructed with greasable "water-pump" style bearings, this roller can be repaired by unscrewing the ends and replacing the series of washers and spacers.:</i>					
4	R88-6790	88-6790	Roller - Grooved Machined Solid Aluminum	0	
<i>Tech Note: Machined from solid aluminum, this light weight machined grooved roller uses greasable "water-pump" style bearings.:</i>					
5	R52-3200	12-0840, 52-3200, 71-1550	Roller - Grooved Machined Solid Steel	0	
<i>Tech Note: Machined from solid steel, this heavy weight roller uses greasable "water-pump" style bearings.:</i>					
6	R150335		Roller - Grooved UHMW Polyethylene	0	
<i>Tech Note: Machined from solid UHMW, this low maintenance roller rotates around a 1" solid stainless steel shaft and requires no bearings or grease. Patented groove design and smooth UHMW material prevents build-up of debris.:</i>					
7	R21-6470	10-5000, 21-6470, 52-3590	Roller - Swaged Machined Solid Aluminum	0	

All original equipment manufacturers names and part numbers are used for identification purposes only, and we are in no way implying that our products are original equipment parts. Prices subject to change without notice.



Replaces Toro Greensmaster 3000 Parts

SPA Cutting Unit - Models 04445, 04448 & 04450
Front Rollers



Item No	R&R Part No.	OEM Part No.	Description	Qty Req	Order Quantity
---------	--------------	--------------	-------------	---------	----------------

Tech Note: Constructed with "water-pump" style bearings, this roller is machined from solid aluminum and contacts the ground only on the outer 2-7/8" of the roller.:

Overhaul Kits

20	R101395		Overhaul Kit - UHMW Roller	0	
----	----------------	--	----------------------------	---	--

Tech Note: Fits all R&R 2" Dia. Black UHMW Polyethylene Rollers. Includes 10 ea.: R150322 Roll Pins; 2 ea.: R3296-15 Locknuts, R150347T Teflon Seals, R150333 Thrust Washers, & R150334A Bronze Thrust Washers:

21	R107-1588	107-1588	Overhaul Kit - Roller	0	
----	------------------	----------	-----------------------	---	--

Tech Note: Includes 2 ea.: R302-5 Grease Fittings & R52-3180 Bearings:

Other Parts Available

30	R302-5	21-6010, 302-11, 302-37, 302-47, 302-5, 302-57, 302-58, 302-6, 31-0300, 32-9660, 60-0800, 62-3880, 92-4181	Fitting - Grease	6	
----	---------------	--	------------------	---	--

31	R52-3180	21-6410, 52-3180	Bearing - Front Roller	2	
----	-----------------	---------------------	------------------------	---	--

32	R52-3210	52-3210	Bearing - w/Milled Flat	2	
----	-----------------	---------	-------------------------	---	--

33	R3296-9	32127-17, 3296-9	Locknut - Comb	11	
----	----------------	---------------------	----------------	----	--

34	R11-0070	11-0070	Comb - Assy	1	
----	-----------------	---------	-------------	---	--

35	R8-2520	8-2520, 8-2520-01	Support - Comb	1	
----	----------------	----------------------	----------------	---	--

36	R8-2530	8-2530	Comb - Urethane	1	
----	----------------	--------	-----------------	---	--

All original equipment manufacturers names and part numbers are used for identification purposes only, and we are in no way implying that our products are original equipment parts. Prices subject to change without notice.



Replaces Toro Greensmaster 3000 Parts

SPA Cutting Unit - Models 04445, 04448 & 04450
Front Rollers



Item No	R&R Part No.	OEM Part No.	Description	Qty Req	Order Quantity
37	R33-1000	33-1000	Brush Assy	1	
38	R3249-3	3249-3	Screw - Comb	11	
39	R3254-8	3254-8	Washer - Lock 1/4 Int Star Z	4	
40	R11-0069	11-0069	Frame - Only Comb Assy	1	
41	R150347T		Seal - Nonstick Lip	2	
42	R150333		Washer - Flat Keyed Outer SS	2	
43	R150334A		Washer - Thrust SAE660 Bronze	2	
44	R3296-15	116-7306, 32118-5, 32127-23, 32127-47, 3296-15	Locknut - 3/4-16 Nylon Jam	2	
45	R3219-1	01-158-0590, 01-188-0428, 3219-1	Nut - 1/4-28	4	

All original equipment manufacturers names and part numbers are used for identification purposes only, and we are in no way implying that our products are original equipment parts. Prices subject to change without notice.