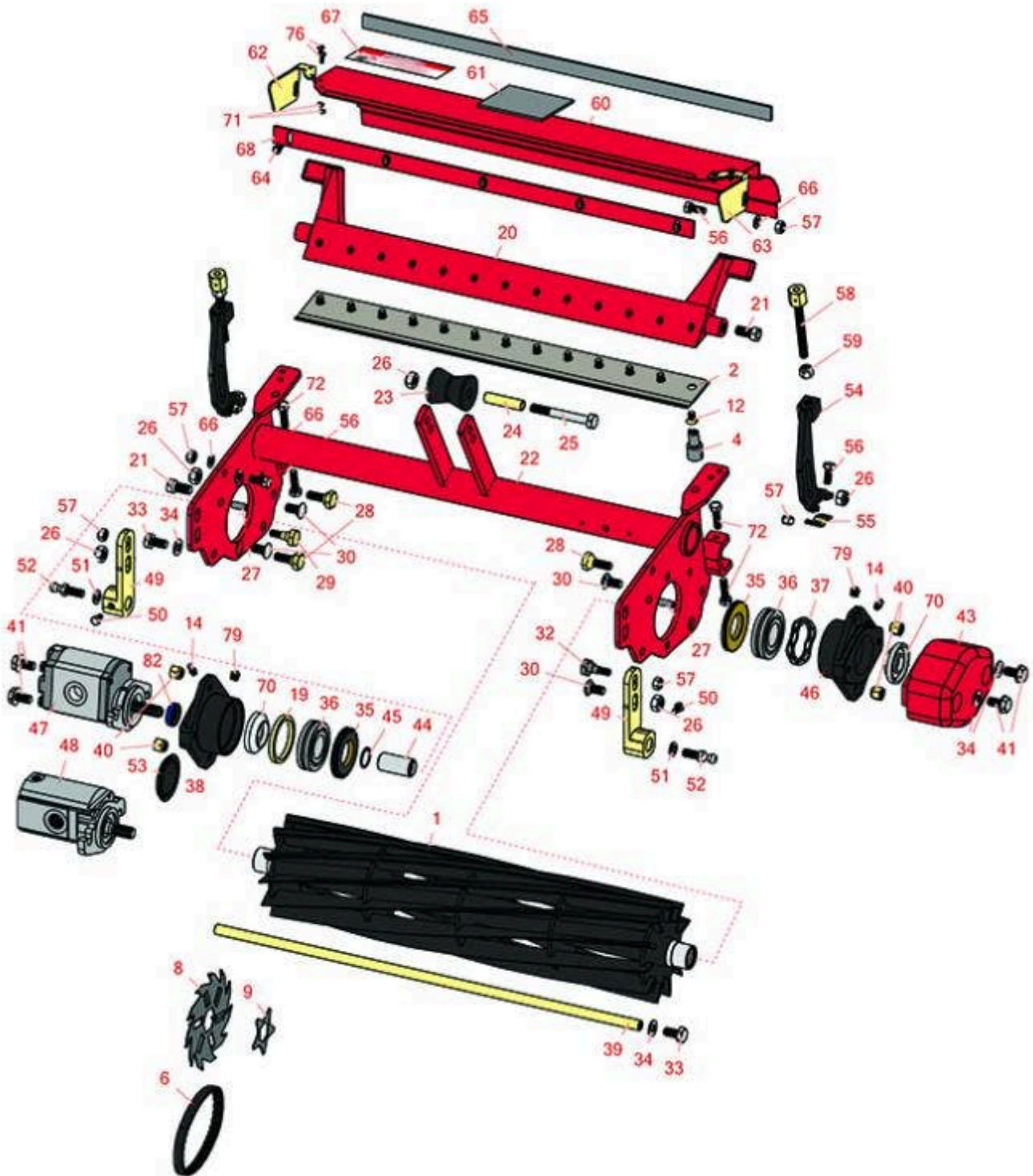




# Replaces Toro Greensmaster 3050 Parts

4-Bolt Cutting Unit - Models 04470 & 04471  
Reel & Bedknife



All original equipment manufacturers names and part numbers are used for identification purposes only, and we are in no way implying that our products are original equipment parts. Prices subject to change without notice.



# Replaces Toro Greensmaster 3050 Parts

4-Bolt Cutting Unit - Models 04470 & 04471

Reel & Bedknife



| Item No | R&R Part No. | OEM Part No. | Description | Qty Req | Order Quantity |
|---------|--------------|--------------|-------------|---------|----------------|
|---------|--------------|--------------|-------------|---------|----------------|

## *R&R Reels, Lifetime Guaranteed*

|   |                 |                     |                 |   |  |
|---|-----------------|---------------------|-----------------|---|--|
| 1 | <b>R94-8037</b> | 94-4357,<br>94-8037 | Reel - 11 Blade | 1 |  |
| 1 | <b>R94-4356</b> | 94-4356,<br>94-8039 | Reel - 8 Blade  | 1 |  |

## *R&R Bedknives, Lifetime Guaranteed*

|   |                  |   |  |   |  |
|---|------------------|---|--|---|--|
| 2 | <b>R93-4262</b>  | 65-8250,<br>93-4262,<br>93-4263             | Bedknife - Micro Cut .062 - .187 HOC               | 1 |  |
| 2 | <b>R108-4303</b> | 104-7720,<br>108-4303                       | Bedknife - Micro Cut Extended .062 - .187 HOC      | 1 |  |
| 2 | <b>R108-4302</b> | 108-4301,<br>108-4302                       | Bedknife - Tournament Cut Extended .125 - .500 HOC | 0 |  |
| 2 | <b>R99-4299</b>  | 99-4299                                     | Bedknife - Tournament Extended                     | 1 |  |
| 2 | <b>R93-4263</b>  | 63-8560,<br>66-9320,<br>93-4263,<br>93-6039 | Bedknife - Tournament Cut .125 - .500 HOC          | 1 |  |
| 2 | <b>R93-4264</b>  | 57-4960,<br>63-8470,<br>93-4264             | Bedknife - Low Cut .187 - 1.00 HOC                 | 1 |  |
| 2 | <b>R94-6392</b>  | 62-2500,<br>94-6392                         | Bedknife - High Cut .312 - 1.00 HOC                | 1 |  |
| 2 | <b>R150466</b>   | 63-8600,<br>64-6393,<br>94-6393             | Bedknife - Super Thick .312 - 1.00 HOC             | 1 |  |
| 2 | <b>R94-6396</b>  | 10-4900,<br>54-9150,<br>94-6396,<br>Oct-00  | Bedknife - High Cut 5/16"-1" HOC                   | 1 |  |

## *R&R Razor Tool Steel Bedknives, Lifetime Guaranteed*

All original equipment manufacturers names and part numbers are used for identification purposes only, and we are in no way implying that our products are original equipment parts. Prices subject to change without notice.



# Replaces Toro Greensmaster 3050 Parts

4-Bolt Cutting Unit - Models 04470 & 04471

Reel & Bedknife



| Item No   | R&R Part No.     | OEM Part No. | Description   | Qty Req | Order Quantity |
|---|------------------|--------------|---|---------|----------------|
| 2   | <b>R115-1881</b> | 115-1881     | Bedknife - Razor Tool Steel - 21 Tournament Cut .125 - .500 HOC | 1       |                |
| <i>Tech Note: Razor Tool Steel Bedknives are constructed from high grade tool steel for extended life and optimum cut.:</i> |                  |              |   |         |                |
| 2   | <b>R115-1880</b> | 115-1880     | Bedknife - Razor Tool Steel - 21 Micro Cut .062 - .187 HOC      | 1       |                |
| <i>Tech Note: Razor Tool Steel Bedknives are constructed from high grade tool steel for extended life and optimum cut.:</i> |                  |              |   |         |                |
| 2   | <b>R150492</b>   | 150492       | Bedknife - Razor Tool Steel - 21 Micro Cut Ext                  | 1       |                |
| <i>Tech Note: Razor Tool Steel Bedknives are constructed from high grade tool steel for extended life and optimum cut.:</i> |                  |              |   |         |                |
| <b>Service Tools</b>  |                  |              |   |         |                |
| 4   | <b>R51-0880</b>  | 51-0880      | Bedknife Screw Driver Tool                                      | 0       |                |
| <b>Belts</b>  |                  |              |   |         |                |
| 6   | <b>R95-0728</b>  | 95-0728      | Belt - Fits Groomer   | 1       |                |
| <b>Rotary Blades or Blades</b>  |                  |              |   |         |                |
| 8   | <b>R150209C</b>  | 106-6355     | Verti-Cut Blade - Carbide Tipped 2mm                            | 36      |                |
| 8   | <b>R150109C</b>  | 106-5422     | Verti-Cut Blade - Carbide Tipped 1.2mm                          | 36      |                |
| 9   | <b>R95-5719</b>  | 95-5719      | Blade - Groomer   | 41      |                |
| <b>Other Parts Available</b>  |                  |              |   |         |                |
| 12  | <b>R150477</b>   | 57-4910      | Screw - Bedknife 5/16-18 x 1/2                                  | 13      |                |

All original equipment manufacturers names and part numbers are used for identification purposes only, and we are in no way implying that our products are original equipment parts. Prices subject to change without notice.



# Replaces Toro Greensmaster 3050 Parts

4-Bolt Cutting Unit - Models 04470 & 04471

Reel & Bedknife



| Item No | R&R Part No.       | OEM Part No.   | Description                       | Qty Req | Order Quantity |
|---------|--------------------|--|-----------------------------------|---------|----------------|
| 14      | <b>R302-5</b>      | 21-6010,<br>302-11,<br>302-37,<br>302-47,<br>302-5,<br>302-57,<br>302-58,<br>302-6,<br>31-0300,<br>32-9660,<br>60-0800,<br>62-3880,<br>92-4181 | Fitting - Grease                  | 4       |                |
| 19      | <b>R94-4544</b>    | 94-4544  | Spacer - Reel                     | 1       |                |
| 20      | <b>R93-2576-01</b> | 93-2576,<br>93-2576-01   | Bed Bar - 13 Hole                 | 1       |                |
| 21      | <b>R315298</b>     | 217-74,<br>31-1070   | Bolt - Bed Bar                    | 2       |                |
| 22      | <b>R95-1635-01</b> | 95-1635,<br>95-1635-01   | Frame - Reel Use w/4 Bolt Adj     | 1       |                |
| 23      | <b>R93-2463</b>    | 93-2463  | Roller - Lift                     | 1       |                |
| 24      | <b>R93-2464</b>    | 93-2464  | Spacer - Roller                   | 1       |                |
| 25      | <b>R104-2092</b>   | 104-2092   | Bolt - Hex HD M10-1.5 x 80 GR10.9 | 1       |                |
| 26      | <b>R33025-00</b>   | 32025-00,<br>33025-00  | Locknut - 10mm x 1.5 Jam          | 4       |                |
| 27      | <b>R32121-123</b>  | 32121-123  | Pin - Spring Roll 5/16 x 3/4      | 4       |                |
| 28      | <b>R95-0745</b>    | 95-0745  | Bolt - Tapered                    | 4       |                |
| 29      | <b>R105-3834</b>   | 105-3834,<br>95-1618   | Bolt - Shoulder                   | 1       |                |
| 30      | <b>R33125-025</b>  | 33125-025  | Bolt - Carriage M10 x 25 w/Nut    | 4       |                |
| 32      | <b>R95-1617</b>    | 105-3833,<br>95-1617   | Bolt - Eccentric Front Roller Bkt | 1       |                |

All original equipment manufacturers names and part numbers are used for identification purposes only, and we are in no way implying that our products are original equipment parts. Prices subject to change without notice.



# Replaces Toro Greensmaster 3050 Parts

4-Bolt Cutting Unit - Models 04470 & 04471

Reel & Bedknife



| Item No | R&R Part No.     | OEM Part No.   | Description                  | Qty Req | Order Quantity |
|---------|------------------|--|------------------------------|---------|----------------|
| 33      | <b>R48-7770</b>  | 106-0276,<br>33115-020,<br>48-7770   | Bolt - Hex HD M10 x 20       | 2       |                |
| 34      | <b>R453011</b>   | 01-166-0100,<br>01-166-0120,<br>01-166-0270,<br>01-166-0500,<br>01-166-0600,<br>01-166-0620,<br>132-4593,<br>2356-3,<br>237-12,<br>24-10-AD,<br>24-11-AD,<br>24-11-BD,<br>24-12-AD,<br>24-12-BD,<br>30-9310,<br>32-8190,<br>3256-24,<br>3256-3,<br>3256-36,<br>3256-4,<br>453011,<br>47-9950,<br>48-9220,<br>513458,<br>7-0052 | Washer - Flat 3/8 SAE Y/Zinc | 6       |                |
| 35      | <b>R94-8908</b>  | 93-2483,<br>94-8908  | Seal - Reel                  | 2       |                |
| 35      | <b>R105-3824</b> | 105-3824   | Seal - Reel Double Lip       | 2       |                |
| 36      | <b>R105-3827</b> | 105-3827   | Bearing - Reel               | 2       |                |
| 36      | <b>R93-2489</b>  | 93-2489  | Bearing - Reel               | 2       |                |
| 37      | <b>R94-4543</b>  | 94-4543  | Spring - Flat Reel           | 2       |                |
| 38      | <b>R94-4545</b>  | 94-4545  | Housing - Bearing            | 2       |                |
| 38      | <b>R105-3826</b> | 105-3826   | Housing - Bearing LH         | 1       |                |

All original equipment manufacturers names and part numbers are used for identification purposes only, and we are in no way implying that our products are original equipment parts. Prices subject to change without notice.



# Replaces Toro Greensmaster 3050 Parts

4-Bolt Cutting Unit - Models 04470 & 04471

Reel & Bedknife



| Item No  | R&R Part No.        | OEM Part No.   | Description                          | Qty Req | Order Quantity |
|--|---------------------|--|--------------------------------------|---------|----------------|
| 39   | <b>R93-2477</b>     | 93-2477,<br>98-2196  | Rod - Grass Shield                   | 1       |                |
| 40   | <b>R93-2454</b>     | 93-2454  | Nut - 3/8-16 Tapered                 | 4       |                |
| 41   | <b>R93-2569</b>     | 93-2569  | Bolt - Hex Washer Nyloc M10          | 4       |                |
| 43   | <b>R100-7113-01</b> | 100-7113-01  | Counterweight                        | 1       |                |
| 44   | <b>R94-4507</b>     | 94-4507  | Coupling - Reel                      | 1       |                |
| 45   | <b>R32120-37</b>    | 32120-37   | Ring - Internal Retaining Reel       | 1       |                |
| 46   | <b>R105-3825</b>    | 105-3825   | Housing - Bearing RH                 | 1       |                |
| 47   | <b>R105-9770</b>    | 10-5090,<br>105-9770,<br>26-5690,<br>70-9800,<br>94-3506,<br>94-3507                                   | Hydraulic Motor - Reel Quick Release | 1       |                |
| <i>Tech Note: Fits Models 3000, 3050 &amp; 3100:</i> |                     |  |                                      |         |                |
| 48   | <b>R120-2072</b>    | 100-6426,<br>108-6487,<br>112-9200,<br>120-2072,<br>93-1375  | Hydraulic Gear Motor                 | 1       |                |
| 49   | <b>R94-8170</b>     | 94-8170  | Bracket - Roller Front               | 2       |                |
| 50   | <b>R48-7610</b>     | 33113-012,<br>48-7610  | Bolt - Hex HD Nyloc M6 x 12          | 2       |                |
| 51   | <b>R3254-6</b>      | 01-166-0010,<br>01-166-0280,<br>01-166-0610,<br>3253-5,<br>3254-18,<br>3254-6,<br>3290-223,<br>48-9370 | Washer - Lock 3/8                    | 2       |                |
| 52   | <b>R94-2958</b>     | 94-2958  | Stud - Alloy Ball Joint              | 2       |                |

All original equipment manufacturers names and part numbers are used for identification purposes only, and we are in no way implying that our products are original equipment parts. Prices subject to change without notice.



# Replaces Toro Greensmaster 3050 Parts

4-Bolt Cutting Unit - Models 04470 & 04471  
Reel & Bedknife



| Item No | R&R Part No.     | OEM Part No.                                  | Description                      | Qty Req | Order Quantity |
|---------|------------------|---|----------------------------------|---------|----------------|
| 53      | <b>R150485</b>   | 2410-30,<br>2410-30OSS                        | Cap - Protective Bearing Housing | 1       |                |
| 54      | <b>R95-1638</b>  | 95-1638                                       | Bracket Only - HOC Adj           | 2       |                |
| 55      | <b>R99-8168</b>  | 95-1637,<br>99-8168                           | Collar - Bracket HOC             | 2       |                |
| 56      | <b>R66-3160</b>  | 33114-020,<br>43-0110,<br>48-7710,<br>66-3160 | Bolt - Flanged Hex HD            | 2       |                |
| 57      | <b>R33024-00</b> | 33024-00                                      | Locknut - 8mm x 1.25             | 4       |                |
| 58      | <b>R95-1633</b>  | 95-1633                                       | Adjustment - HOC                 | 2       |                |
| 59      | <b>R3296-5</b>   | 3296-5  | Locknut - 3/8-24 Jam Nylon       | 2       |                |
| 60      | <b>R99-4197</b>  | 99-4197                                       | Shield - Rear Assy               | 1       |                |
| 61      | <b>R99-1456</b>  | 99-1456                                       | Pad - Wear Grass Shield          | 1       |                |
| 62      | <b>R99-4151</b>  | 99-4151                                       | Deflector - RH Grass Shield      | 1       |                |
| 63      | <b>R99-4152</b>  | 99-4152                                       | Deflector - Grass Shield LH      | 1       |                |
| 64      | <b>R32144-73</b> | 104-2065,<br>32144-73                         | Screw - Machine Hex Washer Head  | 5       |                |
| 65      | <b>R95-1636</b>  | 95-1636                                       | Seal - Strip Grass Shield        | 1       |                |
| 66      | <b>R3256-74</b>  | 3256-74                                       | Washer - Flat                    | 4       |                |
| 67      | <b>R354083</b>   | 104-7729,<br>354083                           | Decal - Danger                   | 1       |                |
| 68      | <b>R36-7260</b>  | 36-7260                                       | Bar - Cut Off Grass Shield       | 1       |                |
| 70      | <b>R104-2067</b> | 104-2067                                      | Spacer - End - Motor             | 2       |                |
| 71      | <b>R46-0430</b>  | 46-0430                                       | Locknut - 4mm                    | 4       |                |

All original equipment manufacturers names and part numbers are used for identification purposes only, and we are in no way implying that our products are original equipment parts. Prices subject to change without notice.



# Replaces Toro Greensmaster 3050 Parts

4-Bolt Cutting Unit - Models 04470 & 04471

Reel & Bedknife



| Item No | R&R Part No.      | OEM Part No.   | Description                       | Qty Req | Order Quantity |
|---------|-------------------|--|-----------------------------------|---------|----------------|
| 72      | <b>R33114-030</b> | 33114-030,<br>42-9520,<br>48-7730  | Bolt - Hex HD M8-1.25 x 30        | 4       |                |
| 76      | <b>R60-6500</b>   | 60-6500,<br>65-6500  | Bolt - Hex HD M4 x 10             | 4       |                |
| 79      | <b>R170714</b>    | 302-34,<br>302-39,<br>62-3520  | Fitting - Pressure Relief         | 2       |                |
| 82      | <b>R353-585</b>   | 353-585,<br>353-587,<br>354-34,<br>72-4380,<br>75-1210,<br>75-1270,<br>92-8863,<br>92-8864 | Seal - High Pressure - Reel Motor | 1       |                |

All original equipment manufacturers names and part numbers are used for identification purposes only, and we are in no way implying that our products are original equipment parts. Prices subject to change without notice.