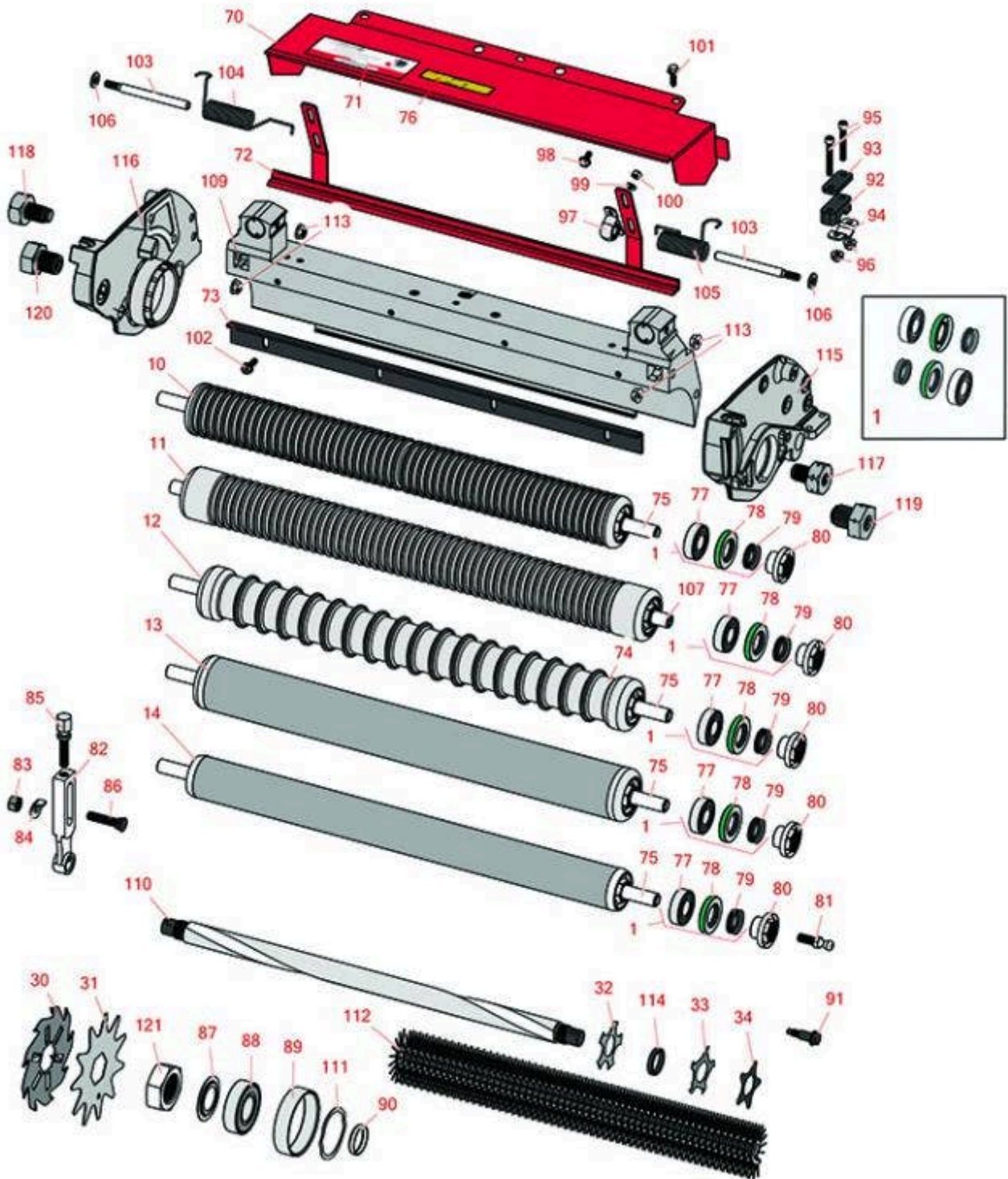




Replaces Toro Greensmaster 3050 Parts

Dethatcher Unit - Model 04479

Dethatching Reel & Frame



All original equipment manufacturers names and part numbers are used for identification purposes only, and we are in no way implying that our products are original equipment parts. Prices subject to change without notice.



Replaces Toro Greensmaster 3050 Parts

Dethatcher Unit - Model 04479

Dethatching Reel & Frame



Item No	R&R Part No.	OEM Part No.	Description	Qty Req	Order Quantity
---------	--------------	--------------	-------------	---------	----------------

Overhaul Kit

1	R107-1594	107-1594	Overhaul Kit - Roller	0	
---	------------------	----------	-----------------------	---	--

Tech Note: Includes 2 ea.: R106-6941 Seals, R106-6942 V-Rings & R251-347 Bearings:

R&R Rollers

10	R115-7360	115-7360	Roller - Narrow Grooved Machined Aluminum - 2 1/2	1	
----	------------------	----------	------------------------------------------------------	---	--

Tech Note: Constructed with a through shaft, this aluminum roller is machined with narrow grooves and uses ball bearings.:

11	R121-4675	121-4675	Roller - Extended Machined Grooved	1	
----	------------------	----------	---------------------------------------	---	--

12	R115-7386	115-7386	Roller - Wide Grooved Machined Aluminum - 2-1/2 Dia	1	
----	------------------	----------	--------------------------------------------------------	---	--

Tech Note: Constructed with a through shaft, this aluminum roller is machined with 1-1/8" wide grooves for the least amount of ground contact and uses ball bearings.:

13	R115-7388	115-7388	Roller - Smooth Tubular Steel 2-1/2 in Dia	1	
----	------------------	----------	-----------------------------------------------	---	--

Tech Note: Constructed with a through shaft, this steel roller uses a through shaft and ball bearings.:

14	R140-5560	105-5776, 106-6945, 107-3509, 119-4093, 120-9595, 140-5560	Roller - Smooth 2 in Steel Rear	1	
----	------------------	---------------------------------------------------------------------------	---------------------------------	---	--

Blades

30	R117-6824	117-6824	Blade - Carbide Tipped 1.2mm 1 5/16 Hex	36	
----	------------------	----------	--------------------------------------------	----	--

Tech Note: 9 TOOTH BLADE:

30	R119-1128	119-1128	Blade - Carbide Tipped 2mm 1 5/16 Hex	36	
----	------------------	----------	------------------------------------------	----	--

All original equipment manufacturers names and part numbers are used for identification purposes only, and we are in no way implying that our products are original equipment parts. Prices subject to change without notice.



Replaces Toro Greensmaster 3050 Parts

Dethatcher Unit - Model 04479

Dethatching Reel & Frame



Item No	R&R Part No.	OEM Part No.	Description	Qty Req	Order Quantity
31	R121-6674	121-6674	Blade - Verti-Cut 1 5/16 Hex ID	36	
32	R132-4626	132-4626	Groomer Blade - Helix .035 Thick	81	
33	R121-9531	121-9531	Groomer Blade - Carbide Tipped - Helix 1mm	40	
34	R110-2333	110-2333	Groomer Blade - Helix .028 Thick	40	
Other Parts Available					
70	R119-4095	119-4095	Grass Shield Assy	1	
71	R354083	104-7729, 354083	Decal - Danger	1	
72	R106-9095-01	106-9095-01	Scraper - Assy	1	
73	R115-3303-03	115-3303-03	Bar - Cutoff	1	
74	R99-6216	99-6216	Tube - Grooved - 1 1/8 Spacing	1	
75	R119-4090	119-4090	Shaft - Roller - Hardened	1	
76	R137-9706	137-9706	Decal- Warning	1	
77	R251-347	251-347, 72-5690	Bearing - Ball	2	
78	R106-6941	106-6941	Seal - Double Lip	2	
79	R106-6942	106-6942	V-Ring - Roller	2	
80	R108-3151	106-6939, 108-3151	Locknut - Roller - Stainless	2	
81	R94-2958	94-2958	Stud - Alloy Ball Joint	2	
82	R115-7041	115-7041	Bracket - Front Roller 5 1/4 in	2	
83	R115-7193	115-7193	Nut-HOC	2	

All original equipment manufacturers names and part numbers are used for identification purposes only, and we are in no way implying that our products are original equipment parts. Prices subject to change without notice.



Replaces Toro Greensmaster 3050 Parts

Dethatcher Unit - Model 04479

Dethatching Reel & Frame



Item No	R&R Part No.	OEM Part No.	Description	Qty Req	Order Quantity
84	R104-2603	104-2603, 119-4158	Washer - HOC Bracket	2	
85	R110-7352	110-7352	Screw - HOC 2 5/8 Stainless	2	
86	R99-3773	99-3773	Bolt- Plow 3/8-16 x 1 3/4	2	
87	R115-3299	115-3299	Seal- Flocked	2	
88	R115-3296	115-3296	Bearing	2	
88	R140-5510	140-5510	Bearing - Sealed Stainless	2	
89	R117-6619	117-6619	Bushing	2	
90	R105-5708	105-5708, 121-46009, 121-4609	Plug - Expansion	2	
91	R115-7042	115-7042	Bolt-Shoulder, Flange	2	
92	R105-5710	105-5710, 119-4166	Spacer - Roller	2	
93	R105-5711	105-5711, 119-4165	Shim - Roller	2	
94	R105-5712	105-5712, 119-4157	Retainer - Roller	2	
95	R119-4035	119-4035	Bolt - 1/4-20 x 1 3/4 Soc HD Cap Scr	4	
96	R119-4040	119-4040	Nut - 1/4-20 Fl Locknut	4	
97	R256-239	256-239	Bearing	2	
98	R33113-016	33113-016, 48-7620	Bolt - Hex Washer M6-1.0 x 12	4	
99	R24M7139	24M7139, 3256-16, 33093-00, 43-5930	Washer - Flat 6mm	4	

All original equipment manufacturers names and part numbers are used for identification purposes only, and we are in no way implying that our products are original equipment parts. Prices subject to change without notice.



Replaces Toro Greensmaster 3050 Parts

Dethatcher Unit - Model 04479

Dethatching Reel & Frame



Item No	R&R Part No.	OEM Part No.	Description	Qty Req	Order Quantity
100	R33023-00	33023-00, 48-7900, 49-7810	Locknut - ESNA 6mm x 1.0	4	
101	R131-6150	131-6150	Screw- 1/4-20 x 3/4 Hx Wh Thread Forming	7	
102	R119-4012	119-4012	Screw - Hx Washer HD Self Threading	7	
103	R106-9091	106-9091	Pin - Scraper	2	
104	R106-9093	106-9093	Spring - RH - SS	1	
105	R106-9094	106-9094	Spring - LH - SS	1	
106	R33094-00	33094-00, 93-5914	Washer - Flat - 8mm Hardened	2	
107	R120-5404	120-5404	Shaft- Roller	1	
109	R119-9303	105-5799, 119-9303	Frame - Crossmember	1	
110	R125-3478	125-3478	Groomer Shaft Assy	1	
111	R105-5700	105-5700, 115-5258	Wave Washer - Bearing	1	
112	R105-9635	105-9635	Brush - Groomer	1	
113	R104-8300	104-8300, 104-8300, 119-4041	Locknut - 5/16-18 Flanged Y/Zinc	4	
114	R70-1350	70-1350	Spacer - 1/4 Fits Groomer Shaft	80	
115	R119-4005	119-4005	Side Plate Assy-LH Incl R117-6619	1	
116	R119-4007	119-4007	Side Plate Assy-RH Incl R117-6619	1	
117	R117-6828	117-6828	LH Nut Assy	1	
118	R117-6829	117-6829	RH Nut Assy	1	

All original equipment manufacturers names and part numbers are used for identification purposes only, and we are in no way implying that our products are original equipment parts. Prices subject to change without notice.



Replaces Toro Greensmaster 3050 Parts

Dethatcher Unit - Model 04479

Dethatching Reel & Frame



Item No	R&R Part No.	OEM Part No.	Description	Qty Req	Order Quantity
119	R120-3221	120-3221	Reel Nut Assy - LH	1	
120	R120-3222	120-3222	Reel Nut Assy - RH	1	
121	R3220-25	3220-25	Nut - Jam 1-3/8-12	2	

All original equipment manufacturers names and part numbers are used for identification purposes only, and we are in no way implying that our products are original equipment parts. Prices subject to change without notice.