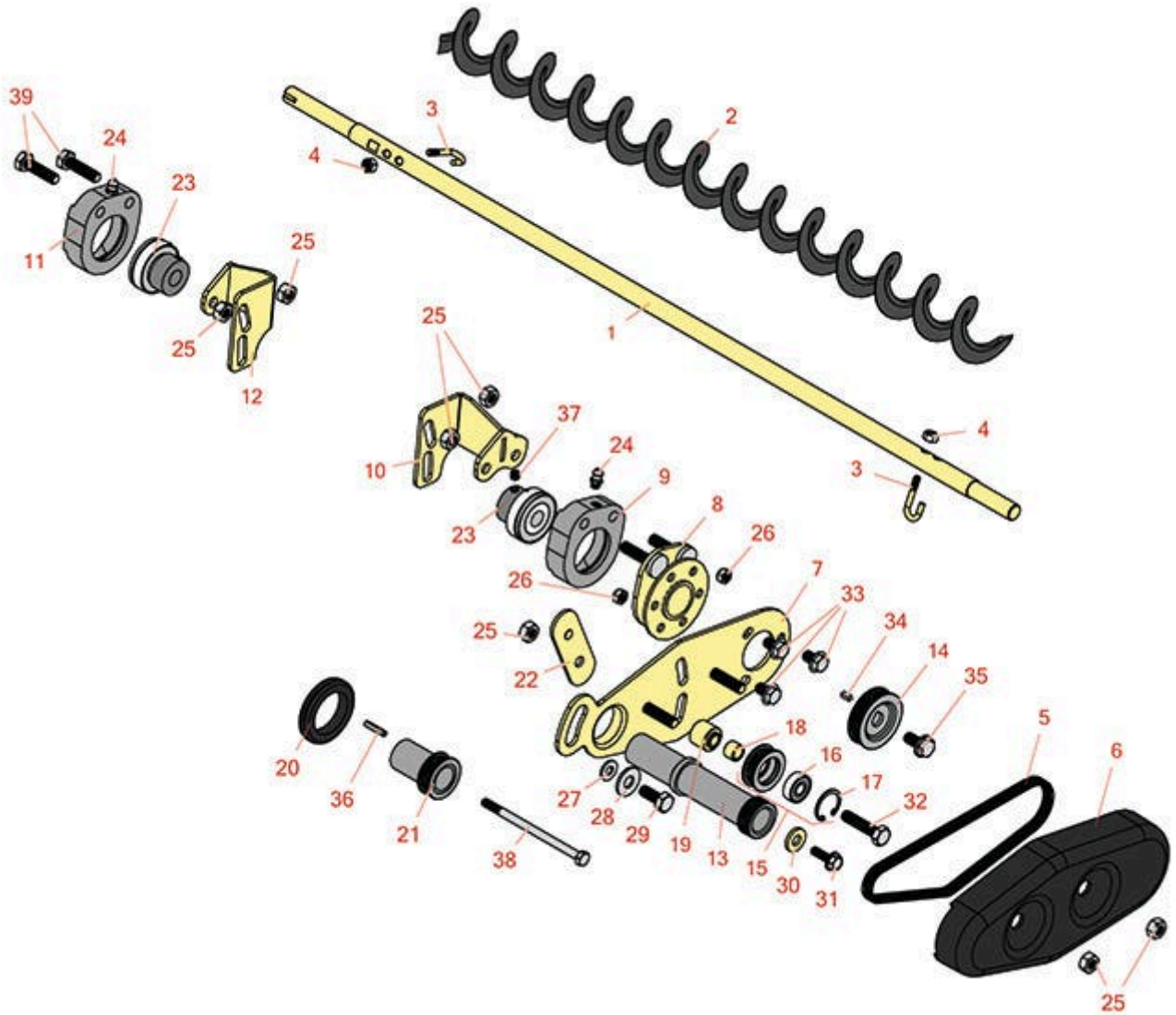




Replaces Toro Greensmaster 3050 Parts

DPA Cutting Unit - Models 04610, 04611 & 04616

Rear Roller Brush - Models 04640 & 04641



All original equipment manufacturers names and part numbers are used for identification purposes only, and we are in no way implying that our products are original equipment parts. Prices subject to change without notice.



Replaces Toro Greensmaster 3050 Parts

DPA Cutting Unit - Models 04610, 04611 & 04616

Rear Roller Brush - Models 04640 & 04641



Item No	R&R Part No.	OEM Part No.	Description	Qty Req	Order Quantity
1	R105-5736	105-5736	Shaft-Brush	1	
2	R105-6792	104-1829, 105-6792	Brush - Rear Roller	1	
3	R104-1830	104-1830	Bolt - J	2	
4	R3296-2	32127-10, 3296-2, 9157404	Nut - #10 Lock	2	
5	R105-5720	105-5720	Belt - Poly V	1	
6	R105-5719	105-5719	Cover - Rear Brush	1	
7	R105-5741	105-5741	Plate Assy	1	
8	R105-5725	105-5725	Adapter Assy	1	
9	R105-5730	105-5730	Housing - Bearing LH	1	
10	R112-9243	112-9243	Bracket - Brush LH	1	
11	R105-5729	105-5729	Housing - Bearing RH	1	
12	R112-9245	112-9245	Bracket - Brush RH	1	
13	R105-5722	105-5722	Pulley - Driver	1	
14	R106-6917	106-6917	Pulley - Driven	1	
15	R104-1834	104-1820, 104-1834	Idler Bearing - Assy	1	
16	R251-259	251-259, 251-307	Bearing - Ball	1	
17	R104-4727	104-4727	Ring - Retaining	1	
18	R105-5723	105-5723	Spacer - Tube	1	
19	R105-5742	105-5742	Spacer - Shoulder	1	

All original equipment manufacturers names and part numbers are used for identification purposes only, and we are in no way implying that our products are original equipment parts. Prices subject to change without notice.



Replaces Toro Greensmaster 3050 Parts

DPA Cutting Unit - Models 04610, 04611 & 04616

Rear Roller Brush - Models 04640 & 04641



Item No	R&R Part No.	OEM Part No.	Description	Qty Req	Order Quantity
20	R240-7	240-7	Grommet - Rubber - 2 in OD	1	
21	R106-6915	106-6915	Pulley Assy	1	
22	R105-5724	105-5724	Plate - Plug	1	
23	R104-1842	104-1842	Bearing - Roller	2	
24	R302-5	21-6010, 302-11, 302-37, 302-47, 302-5, 302-57, 302-58, 302-6, 31-0300, 32-9660, 60-0800, 62-3880, 92-4181	Fitting - Grease	2	
25	R14M7298	104-2612, 33004-00	Nut - 8mm x 1.25 Flanged	8	
26	R33023-00	33023-00, 48-7900, 49-7810	Locknut - ESNA 6mm x 1.0	1	
27	R82-4240	82-4240	Spacer - Bearing	1	
28	R453009	01-166-0400, 24-10-BD, 24-9-AD, 32-9650, 3256-2, 3256-23, 3256-3, 3256-67, 3290-217, 3556-3, 4-2390, 7-0152	Washer - Flat 5/16 SAE	1	

All original equipment manufacturers names and part numbers are used for identification purposes only, and we are in no way implying that our products are original equipment parts. Prices subject to change without notice.



Replaces Toro Greensmaster 3050 Parts

DPA Cutting Unit - Models 04610, 04611 & 04616

Rear Roller Brush - Models 04640 & 04641



Item No	R&R Part No.	OEM Part No.	Description	Qty Req	Order Quantity
29	R66-3160	33114-020, 43-0110, 48-7710, 66-3160	Bolt - Flanged Hex HD	1	
30	R105-5769	105-5769	Washer	1	
31	R33103-020	33103-020	Bolt - Hex Washer M6-1.0 x 20	1	
32	R33114-035	33114-035	Bolt	1	
33	R33103-012	33103-012	Bolt - Flanged Hx HD	3	
34	R95-9619	95-9619	Key - Square 1/8 x 1/8 x 5/16	1	
35	R33104-016	33104-016	Bolt - Hx HD Fl	1	
36	R32121-23	32121-23	Pin - Roll 5/32 x 3/4	1	
37	R3245-1	244-19, 32104-67, 3245-1	Screw - Set 1/4-20 x 1/4	2	
38	R106-6916	106-6916	Bolt	1	
39	R33114-030	33114-030, 42-9520, 48-7730	Bolt - Hex HD M8-1.25 x 30	2	

All original equipment manufacturers names and part numbers are used for identification purposes only, and we are in no way implying that our products are original equipment parts. Prices subject to change without notice.