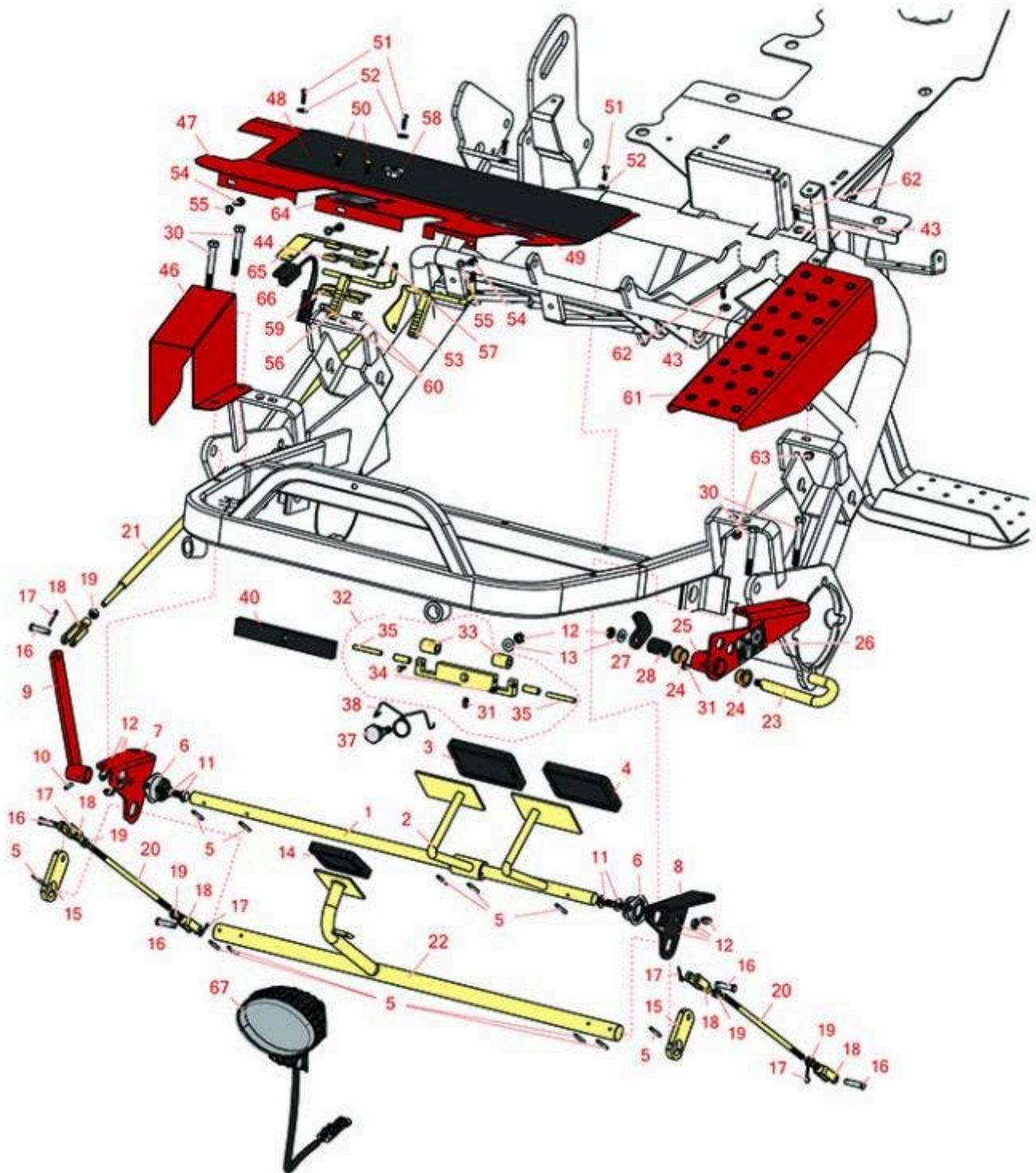




Replaces Toro Greensmaster 3050 Parts

Traction Unit - Model 04351

Control Pedal



All original equipment manufacturers names and part numbers are used for identification purposes only, and we are in no way implying that our products are original equipment parts. Prices subject to change without notice.



Replaces Toro Greensmaster 3050 Parts

Traction Unit - Model 04351

Control Pedal



Item No	R&R Part No.	OEM Part No.	Description	Qty Req	Order Quantity
1	R106-6395	106-6395, 88-9660	Shaft - Cutting Control Assy	1	
2	R106-6394	106-6394, 83-0140	Mow Pedal Assy	1	
3	R93-7630	93-7630	Rubber Foot Pad - Mow	1	
4	R93-7631	93-7631	Rubber Foot Pad - Lift	1	
5	R32121-35	32121-35	Pin - Spring Roll 5/32 x 1-1/2	8	
6	R27-2320	27-2320	Bearing	2	
7	R88-9630-01	88-9630, 88-9630-01	Bracket - Red	1	
8	R88-9640-01	88-9640, 88-9640-01	Bracket - Red - LH	1	
9	R49-6200-01	49-6200-01	Cutting Lever - Red	1	
10	R32121-6	32121-6	Pin - Roll 3/16 x 1-1/4	1	
11	R3234-1	321-11, 3234-1	Bolt - Flanged Serrated Hex HD 3/8-16 x 3/4	4	
12	R3296-59	3296-59	Locknut - 3/8-16 Nylon Jam	8	

All original equipment manufacturers names and part numbers are used for identification purposes only, and we are in no way implying that our products are original equipment parts. Prices subject to change without notice.



Replaces Toro Greensmaster 3050 Parts

Traction Unit - Model 04351

Control Pedal



Item No	R&R Part No.	OEM Part No.	Description	Qty Req	Order Quantity
13	R453011	01-166-0100, 01-166-0120, 01-166-0270, 01-166-0500, 01-166-0600, 01-166-0620, 132-4593, 2356-3, 237-12, 24-10-AD, 24-11-AD, 24-11-BD, 24-12-AD, 24-12-BD, 30-9310, 32-8190, 3256-24, 3256-3, 3256-36, 3256-4, 453011, 47-9950, 48-9220, 513458, 7-0052	Washer - Flat 3/8 SAE Y/Zinc	6	
14	R93-7629	27-7570, 27-7580, 49-6170, 93-7629, 93-8743	Rubber Foot Pad - Brake	1	
15	R10-8100-01	10-8100, 10-8100-01, 112-9180, Oct-00	Strap - Shaft	2	
16	R283-61	283-61, 86-2140, N/A, R3296-12	Pin - Clevis 5/16 x 1-1/8	5	
17	R11M7012	3272-6	Pin - Cotter 1/8 x 5/8	5	
18	R282-2	1-303105, 282-2	Yoke	5	

All original equipment manufacturers names and part numbers are used for identification purposes only, and we are in no way implying that our products are original equipment parts. Prices subject to change without notice.



Replaces Toro Greensmaster 3050 Parts

Traction Unit - Model 04351

Control Pedal



Item No	R&R Part No.	OEM Part No.	Description	Qty Req	Order Quantity
19	R3220-2	01-191-0524, 3220-2	Nut - Jam - 5/16-24	5	
20	R27-2270	27-2270	Rod - Adjustment	2	
21	R49-5430	49-5430	Control Rod - Cutting Lever	1	
22	R83-0160	83-0160	Shaft - Brake Assy	1	
23	R93-9903	93-9903	Pin - Mow Lockout	1	
24	R3-1506	3-1506, 75-2160, Apr-50	Bushing - Bronze	2	
25	R93-9901-01	93-9901, 93-9901-01	Lockout Bracket - Red	1	
26	R93-9898	93-9898	Decal - Lock	1	
27	R93-9904	93-9904	Mow Arm - Lockout	1	
28	R76-0410	76-0410	Spring - Compression - Lockout Pin	1	
30	R323-13	01-150-1020, 01-178-0622, 20-54-AD, 20-54-AGD, 323-13, 513366	Bolt - Hex HD 3/8-16 x 2-3/4 GR5	4	
31	R302-5	21-6010, 302-11, 302-37, 302-47, 302-5, 302-57, 302-58, 302-6, 31-0300, 32-9660, 60-0800, 62-3880, 92-4181	Fitting - Grease	2	

All original equipment manufacturers names and part numbers are used for identification purposes only, and we are in no way implying that our products are original equipment parts. Prices subject to change without notice.



Replaces Toro Greensmaster 3050 Parts

Traction Unit - Model 04351

Control Pedal



Item No	R&R Part No.	OEM Part No.	Description	Qty Req	Order Quantity
32	R150273	83-0060	Lift - Pivot Assy	1	
33	R150274		Roller Assy - Lift Pivot	2	
34	R150425		Bolt - Hex HD 8-32 x 5/8	2	
35	R150276		Pin - Dowell - Removable	2	
37	R83-2590	83-2590	Bolt - Shoulder Eccentric	1	
38	R83-0080	83-0080	Spring - Pivot - Lift	1	
40	R106-6396	106-6396	Lift - Pivot	1	
43	R3256-22	24-9-BD, 3-1032, 3256-1, 3256-22, 93-0954, 93-0989	Washer - Flat 1/4 Yellow	3	
44	R10-7880	10-7880	Hinge - Upper	1	
46	R49-6110-01	49-6110, 49-6110-01	Rod Guard - Red	1	
47	R83-0640-01	83-0640, 83-0640-01	Footrest Plate - Red	1	
48	R49-6120	10-8210, 49-6120	Pad - Anti-Skid Foot Rest	1	
49	R93-8075	93-8075	Decal - Mow/Lift	1	
50	R3229-11	3229-11, 3229-22, 518304	Bolt - Carriage 1/4-20 x 5/8	2	
51	R3274-31	3274-31, 3274-68, 46-8560	Screw - Button HD Soc CS 1/4-20 x 5/8	4	

All original equipment manufacturers names and part numbers are used for identification purposes only, and we are in no way implying that our products are original equipment parts. Prices subject to change without notice.



Replaces Toro Greensmaster 3050 Parts

Traction Unit - Model 04351

Control Pedal



Item No	R&R Part No.	OEM Part No.	Description	Qty Req	Order Quantity
52	R453023	3256-1, 3256-22, 3256-72, 33094-00	Washer - Flat 1/4	4	
53	R100-9819	100-9819	Latch Assy	1	
54	R400106	321-3, 513315, 908002P	Bolt - Hex HD 1/4-20 x 5/8	3	
55	R3253-3	01-166-0070, 01-166-0410, 23-9-GD, 24-7150, 3253-3, 3256-1, 352-167	Washer - Lock 1/4	7	
56	R10-7850	10-7850	Parking Latch - Brake	1	
57	R10-8140	10-8140	Spring - Torsion - Brake Latch	1	
58	R32141-111	32141-111	Nut - Special HF Flanged	1	
59	R95-1629	95-1629	Hinge-Lower	1	
60	R301504	2296-42, 301504, 32127-24, 32128-33, 32146-17, 3296-16, 3296-42, 3296-42 , 915661P	Locknut - ESNA 1/4-20	2	
61	R83-0200-01	83-0200, 83-0200-01	Plate - Cover - LH	1	
62	R321-4	01-150-1030, 01-178-0406, 20-3-AGD, 321-4, 3222-1	Bolt - Hex HD 1/4-20 x 3/4	2	

All original equipment manufacturers names and part numbers are used for identification purposes only, and we are in no way implying that our products are original equipment parts. Prices subject to change without notice.



Replaces Toro Greensmaster 3050 Parts

Traction Unit - Model 04351

Control Pedal



Item No	R&R Part No.	OEM Part No.	Description	Qty Req	Order Quantity
63	R32128-33	32128-33	Nut - 1/4-20 Flanged Serr	2	
64	R93-8062	93-8062	Decal - Parking Brake	1	
65	R100-9821	100-9821	Plate - Switch - Reed	1	
66	R104-2057	104-2057	Sensor	1	
67	R151712	108-6471, 112-9177, 94-9024	LED Oval Work Light - 12 LED 30w	1	

All original equipment manufacturers names and part numbers are used for identification purposes only, and we are in no way implying that our products are original equipment parts. Prices subject to change without notice.