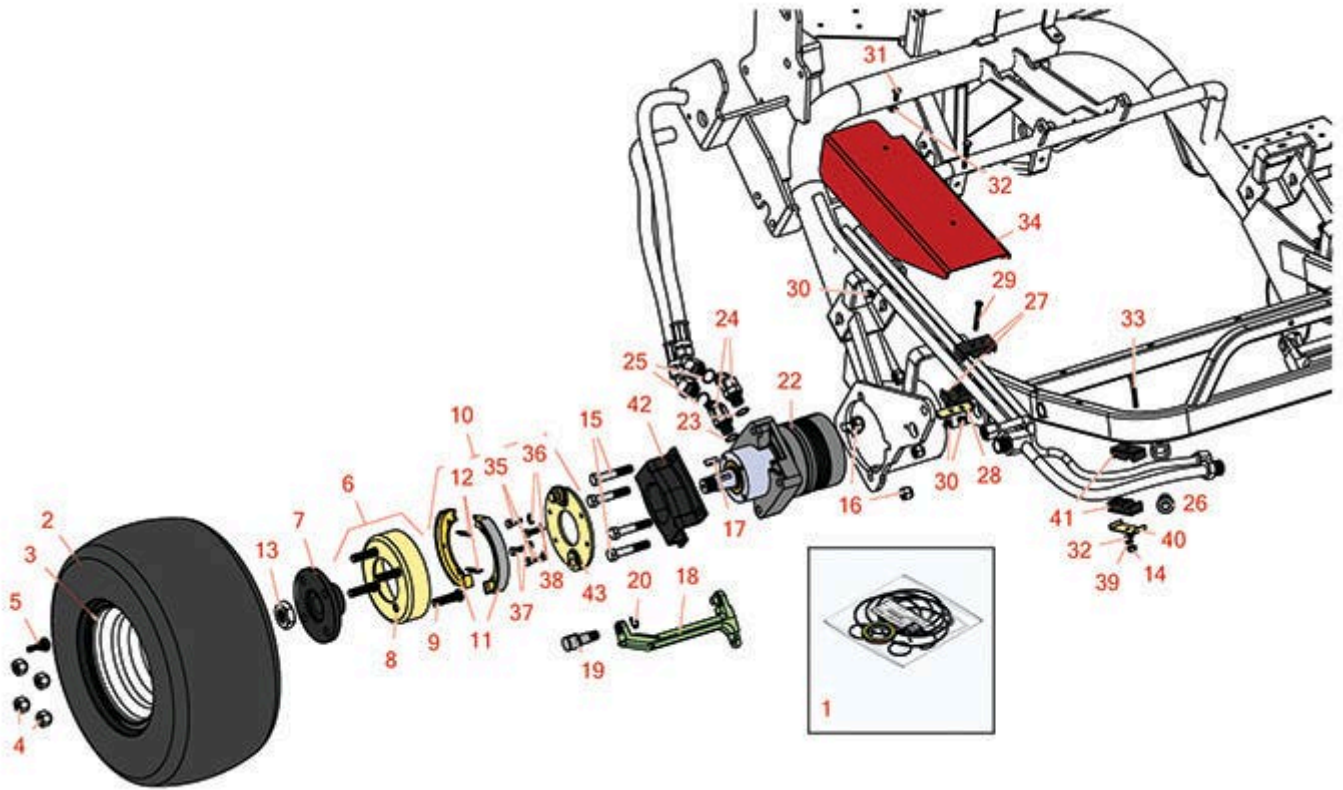




Replaces Toro Greensmaster 3050 Parts

Traction Unit - Model 04351

Front Wheel & Brake



All original equipment manufacturers names and part numbers are used for identification purposes only, and we are in no way implying that our products are original equipment parts. Prices subject to change without notice.



Replaces Toro Greensmaster 3050 Parts

Traction Unit - Model 04351

Front Wheel & Brake



Item No	R&R Part No.	OEM Part No.	Description	Qty Req	Order Quantity
Overhaul Kits					
1	R76-0800	100-6131, 76-0800, 94-8178	Seal Kit - Hyd Wheel Motor	1	
2	R150314		Tire w/Wheel - 18x9.50-8 (2 Ply) Carlisle Smooth	2	
2	R700141	232-37, 232-47	Tube - 18x6.50/7.50/8.50/9.50-8 TR13	2	
3	R217-60	217-60, 242-49	Wheel - with Valve Stem - White	2	
Other Parts Available					
4	R242-50	242-50	Nut - 1/2-20 Wheel	8	
5	R232-27	232-27, 232-31	Stem - Valve w/ Cap	2	
6	R10-6821	10-6820, 10-6821, Oct-20	Hub and Drum Assy	2	
7	R10-6870-03	10-6870, 10-6870-03, Oct-70	Hub - Wheel	2	
8	R10-6850	10-6850	Drum - Brake	2	
9	R85-6540	85-6540	Stud - Drive 1/2-20 x 2	8	
10	R71-1500	104-7705, 71-1500	Brake Assy	2	
11	R70-9840	70-9840	Shoe - Brake	4	
12	R70-9880	70-9880	Spring - Brake Shoe	4	
13	R26-3790	26-3790	Nut - Hex - Wheel Motor 1-20	2	

All original equipment manufacturers names and part numbers are used for identification purposes only, and we are in no way implying that our products are original equipment parts. Prices subject to change without notice.



Replaces Toro Greensmaster 3050 Parts

Traction Unit - Model 04351

Front Wheel & Brake



Item No	R&R Part No.	OEM Part No.	Description	Qty Req	Order Quantity
14	R301504	2296-42, 301504, 32127-24, 32128-33, 32146-17, 3296-16, 3296-42, 3296-42 , 915661P	Locknut - ESNA 1/4-20	8	
15	R325-11	01-150-0330, 20-92-AGD, 325-11, 325-9	Bolt - Hex HD 1/2-13 x 2-3/4	8	
16	RF5003	32127-29, 32131-5, 32132-5, 3296-23	Locknut - ESNA 1/2-13	8	
17	R3257-42	3257-42	Key - Woodruff 5/16 x 1	2	
18	R93-2096	71-1510, 93-2096	Arm - Brake	2	
19	R104-7707	104-7707, 104-7708, 70-9850, 70-9860	Cam - Brake	2	
20	R150513	104-7706	E - Clip - Brake Assy	2	
22	R110-4016	110-4016	Hydraulic Motor - RH Wheel	1	
22	R92-9199	92-9199	Hydraulic Motor - RH/LH Wheel	1	
<i>Tech Note: Not Shown:</i>					
22	R110-4015	110-4015	Hydraulic Motor - LH Wheel	1	
<i>Tech Note: Not Shown:</i>					
23	R237-80	237-80, 327-80	O-Ring	4	

All original equipment manufacturers names and part numbers are used for identification purposes only, and we are in no way implying that our products are original equipment parts. Prices subject to change without notice.



Replaces Toro Greensmaster 3050 Parts

Traction Unit - Model 04351

Front Wheel & Brake



Item No	R&R Part No.	OEM Part No.	Description	Qty Req	Order Quantity
24	R340-14	340-14, 96-0861	Hydraulic Fitting - 45 Deg	4	
25	R237-65	237-65, 237.65	O-Ring	4	
26	R83-1700	83-1700	Bushing - Flanged - Plastic	3	
27	R57-6140	57-6140	Clamp - Half - Hyd Line	2	
28	R83-1220	83-1220	Plate - Clamp - Hyd Lines	1	
29	R32108-100	32108-100	Screw - 1/4-20 x 2-1/4 Soc Flat HD	1	
30	R32128-33	32128-33	Nut - 1/4-20 Flanged Serr	1	
31	R321-4	01-150-1030, 01-178-0406, 20-3-AGD, 321-4, 3222-1	Bolt - Hex HD 1/4-20 x 3/4	1	
32	R3256-22	24-9-BD, 3-1032, 3256-1, 3256-22, 93-0954, 93-0989	Washer - Flat 1/4 Yellow	3	
33	R3234-34	321-11, 323-12, 3234-34	Bolt - Hex Washer 1/4 x 2	2	
34	R83-0190-01	83-0190, 83-0190-01	Plate - Cover - RH	1	
35	R150524		Bolt - Shoulder 5/16-18	2	

All original equipment manufacturers names and part numbers are used for identification purposes only, and we are in no way implying that our products are original equipment parts. Prices subject to change without notice.



Replaces Toro Greensmaster 3050 Parts

Traction Unit - Model 04351

Front Wheel & Brake



Item No	R&R Part No.	OEM Part No.	Description	Qty Req	Order Quantity
36	R3254-6	01-166-0010, 01-166-0280, 01-166-0610, 3253-5, 3254-18, 3254-6, 3290-223, 48-9370	Washer - Lock 3/8	2	
37	R322-4	322-4, 3290-115, 908018P	Bolt - Hex HD 5/16-18 x 7/8	2	
38	R3253-4	01-166-0110, 01-166-0510, 23-10-GD, 24-7170, 30-8520, 3253-4, 42-9850, 48-9350, 48-9360, 48-9570, 68-9420, 99-7577	Washer - Lock 5/16 Zinc	2	
39	R3253-3	01-166-0070, 01-166-0410, 23-9-GD, 24-7150, 3253-3, 3256-1, 352-167	Washer - Lock 1/4	1	
40	R69-9760	69-9760	Cover Plate - Hyd Line Clamp	1	
41	R56-7970	56-7970	Plastic Clamp	2	
42	R84-2000-03	84-2000, 84-2000-03	Bracket - Brake	2	
43	R70-9870	70-9870	Plate - Backing	1	

All original equipment manufacturers names and part numbers are used for identification purposes only, and we are in no way implying that our products are original equipment parts. Prices subject to change without notice.