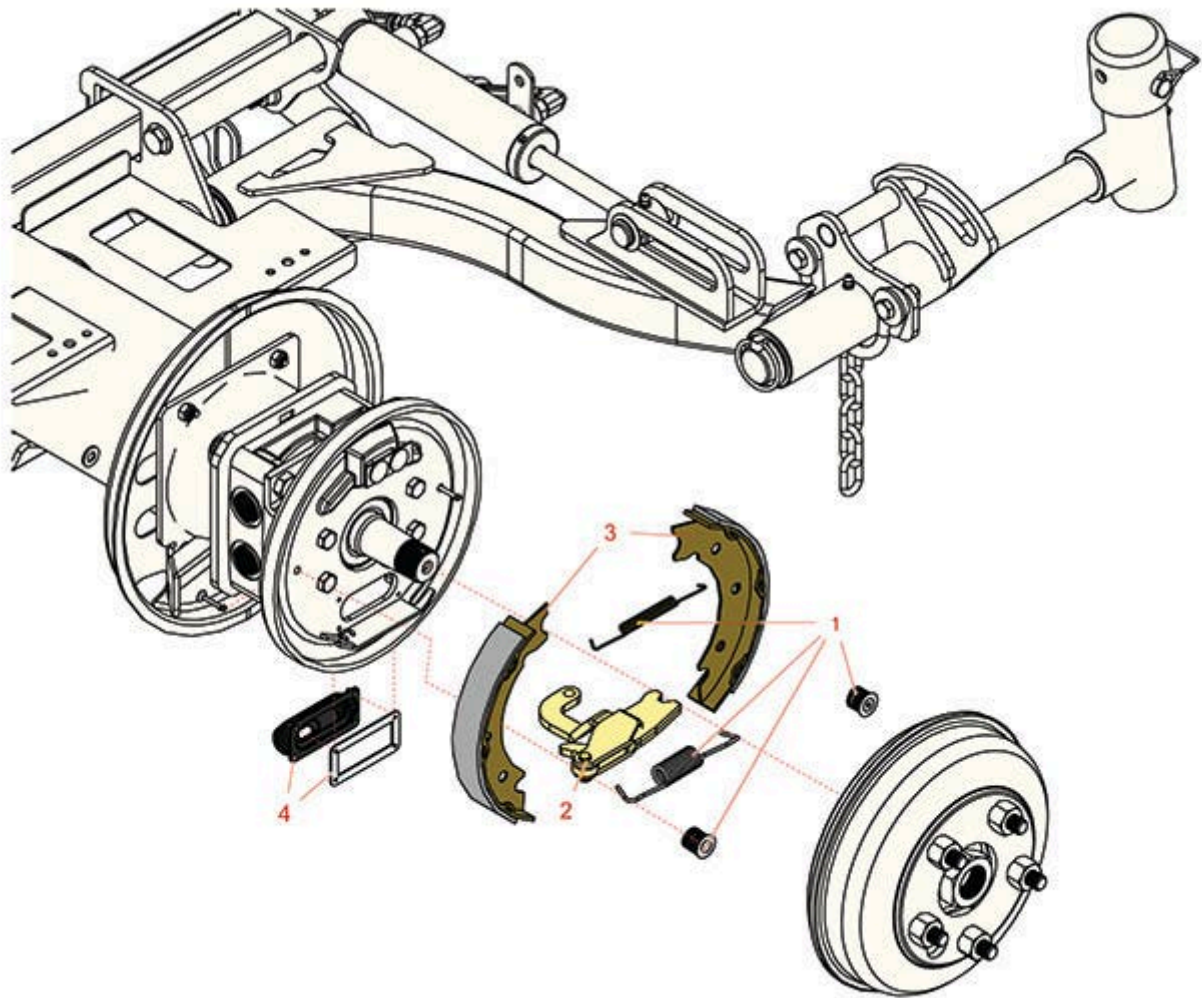




Replaces Toro Reelmaster 5210-D Parts

Traction Unit
Brakes



All original equipment manufacturers names and part numbers are used for identification purposes only, and we are in no way implying that our products are original equipment parts. Prices subject to change without notice.



Replaces Toro Reelmaster 5210-D Parts

Traction Unit
Brakes



Item No	R&R Part No.	OEM Part No.	Description	Qty Req	Order Quantity
1	R108-6983	108-6983	Brake Hardware Kit	1	
2	R110-8910	110-8910	Actuator Kit - LH	1	
<i>Tech Note: (Shown):</i>					
2	R110-8884	110-8884	Actuator Kit - RH	1	
3	R108-6981	108-6981	Brake Shoe Kit - Set/2	1	
4	R110-8885	110-8885	Dust Boot Kit - Brake	1	

All original equipment manufacturers names and part numbers are used for identification purposes only, and we are in no way implying that our products are original equipment parts. Prices subject to change without notice.