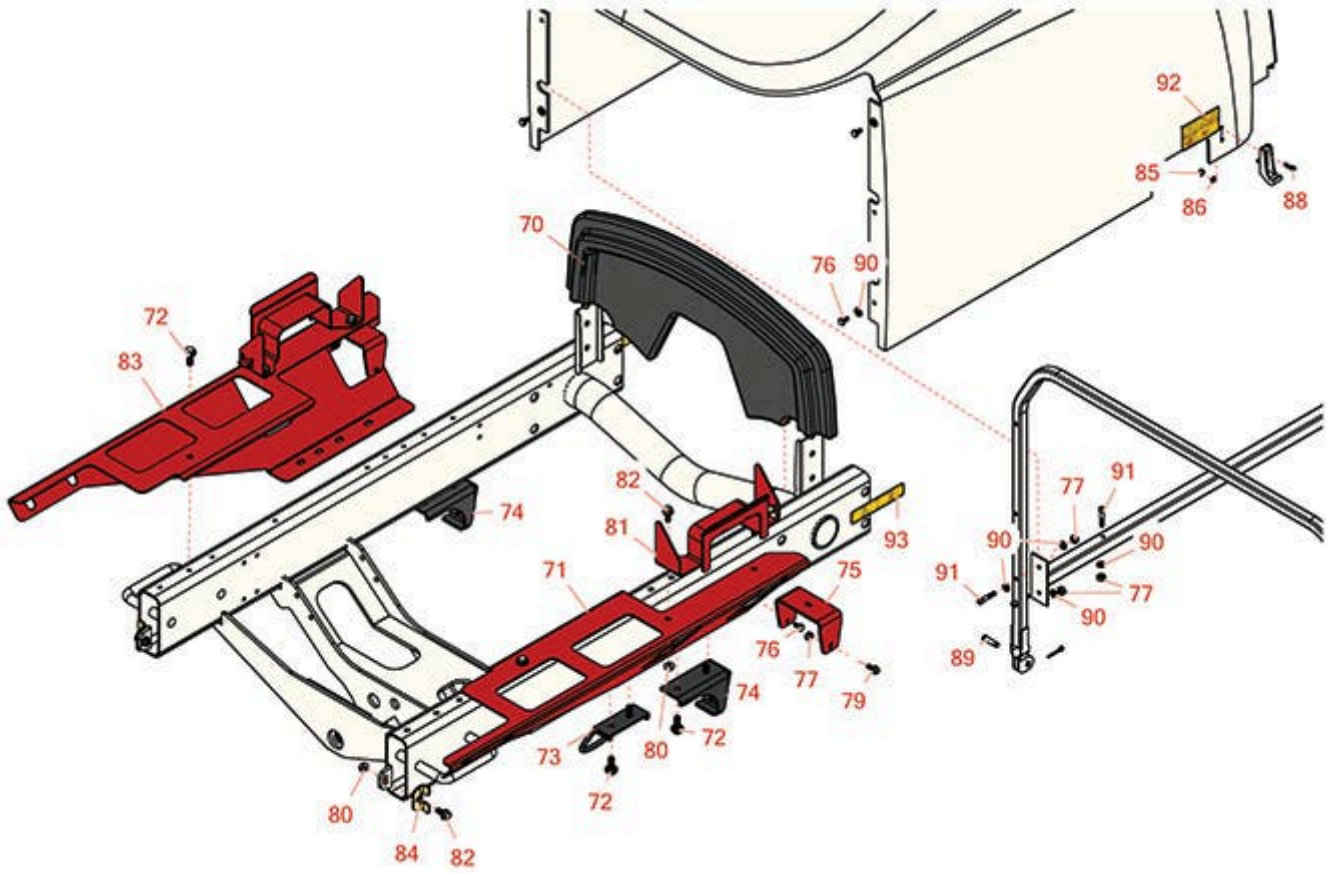




Replaces Toro Reelmaster 5210-D Parts

Traction Unit
Hood & Body



All original equipment manufacturers names and part numbers are used for identification purposes only, and we are in no way implying that our products are original equipment parts. Prices subject to change without notice.



Replaces Toro Reelmaster 5210-D Parts

Traction Unit
Hood & Body



Item No	R&R Part No.	OEM Part No.	Description	Qty Req	Order Quantity
---------	--------------	--------------	-------------	---------	----------------

Other Parts Available

70	R108-7587	108-7587	Saddle-Hood	1	
71	R110-5254-01	110-5254-01	Adapter-Hood, RH	1	
72	R32144-14	32104-32, 32104-49, 32144-14	Bolt - Hex Washer 5/16-18 x 5/8	8	
73	R110-8999	110-8999	Muffler Guard	1	
74	R110-0979-03	110-0979-03	Bracket-Deflector	2	
75	R110-5256-01	110-5256-01	Bracket - Latch - Hood	2	
76	R12-3270	12-3270, 30-0700, 32104-17, 9266714, Aug-80	Bolt - Hex Washer 1/4-20 x 1/2	6	

Tech Note: Fits 5210-5510:

77	R301504	2296-42, 301504, 32127-24, 32128-33, 32146-17, 3296-16, 3296-42, 3296-42 , 915661P	Locknut - ESNA 1/4-20	8	
----	----------------	--	-----------------------	---	--

Tech Note: Fits 5510-5610 2006-2009:

77	R104-7201	104-7201	Locknut - 1/4-20 ESNA Flanged	8	
----	------------------	----------	-------------------------------	---	--

Tech Note: Fits 5210-5410 and 5510-5610 2010 and Up:

79	R3234-33	3234-33	Bolt - 1/4-20 x 3/4 Serr Hex Flanged	2	
----	-----------------	---------	--------------------------------------	---	--

Tech Note: Fits 5610:

All original equipment manufacturers names and part numbers are used for identification purposes only, and we are in no way implying that our products are original equipment parts. Prices subject to change without notice.



Replaces Toro Reelmaster 5210-D Parts

Traction Unit
Hood & Body



Item No	R&R Part No.	OEM Part No.	Description	Qty Req	Order Quantity
80	R104-8300	104-8300, 104-8300 , 119-4041	Locknut - 5/16-18 Flanged Y/Zinc	6	
<i>Tech Note: Fits 5610:</i>					
81	R110-5259-03	110-5259-03	Bracket - Hood - Guide - Black	2	
<i>Tech Note: Fits 5610:</i>					
82	R3234-5	3234-5, 62-3310	Bolt - 5/16-18x3/4 Hx Ser Was HD	6	
<i>Tech Note: Fits 5610:</i>					
83	R110-5253-01	110-5253-01	Adapter-Hood, LH	1	
<i>Tech Note: Fits 5610:</i>					
84	R110-8946	110-8946	Clamp - Radiator Frame	2	
<i>Tech Note: Fits 5610:</i>					
85	R3296-12	32127-20, 3296-12	Nut - 10-32 Nylon Lock	4	
86	R3256-14	24-7-BD, 32125-2, 3256-14, 3256-51, 51-2170	Washer - 10 Flat	4	
88	R32105-13	32105-13	Screw - Hx Was HD 10-32 x 3/4	4	
89	R283-61	283-61, 86-2140, N/A, R3296-12	Pin - Clevis 5/16 x 1-1/8	2	
90	R3256-22	24-9-BD, 3-1032, 3256-1, 3256-22, 93-0954, 93-0989	Washer - Flat 1/4 Yellow	12	

All original equipment manufacturers names and part numbers are used for identification purposes only, and we are in no way implying that our products are original equipment parts. Prices subject to change without notice.



Replaces Toro Reelmaster 5210-D Parts

*Traction Unit
Hood & Body*



Item No	R&R Part No.	OEM Part No.	Description	Qty Req	Order Quantity
91	R316797	321-13	Bolt - 1/4-20 x 1-1/4	6	
92	R106-6754	106-6754	Decal - Danger	1	
93	R93-6689	01-506-0540, 75-5190, 92-5955, 93-6689, 93-9867	Decal - No Riders	1	

All original equipment manufacturers names and part numbers are used for identification purposes only, and we are in no way implying that our products are original equipment parts. Prices subject to change without notice.