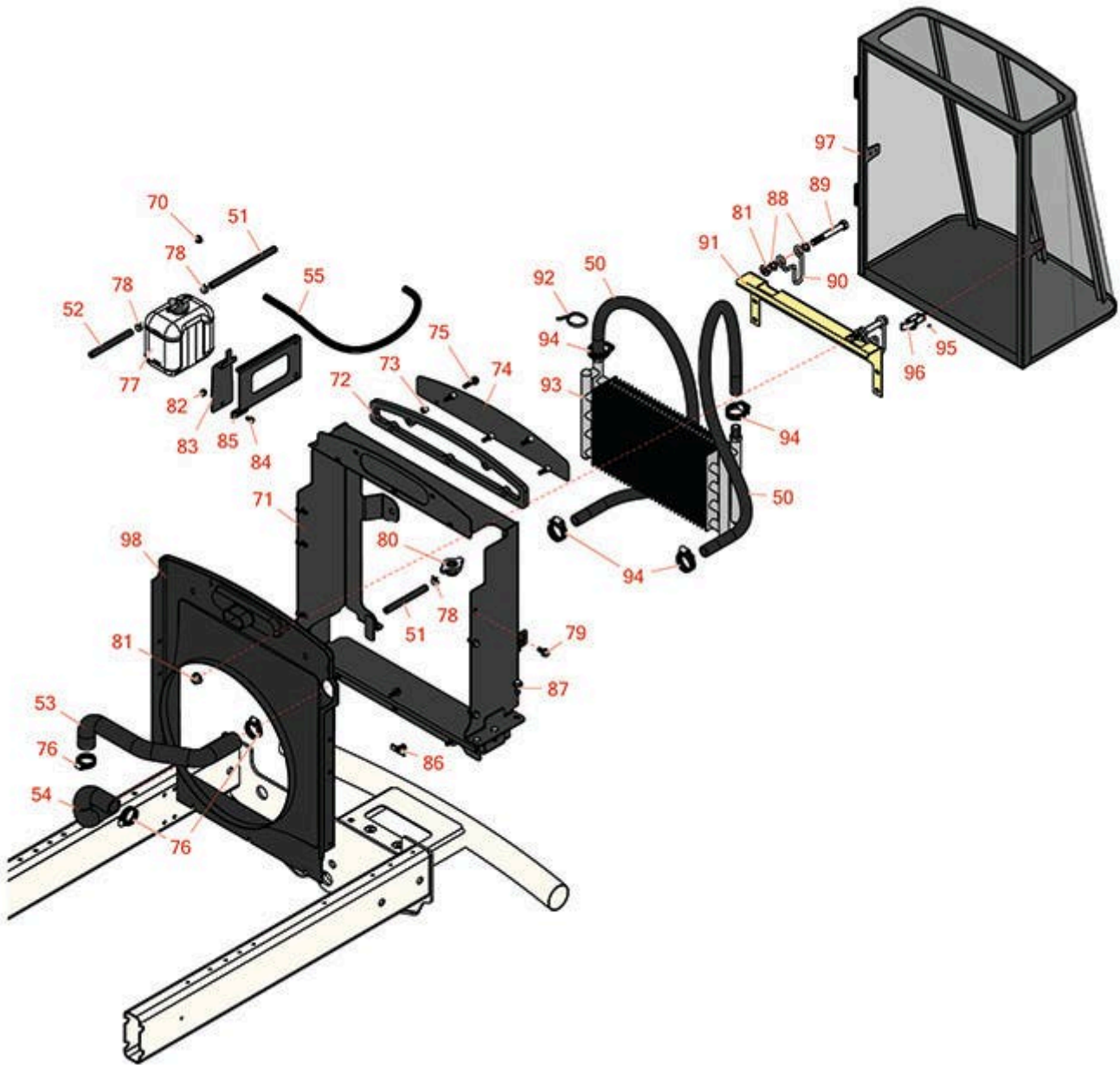




# Replaces Toro Reelmaster 5210-D Parts

*Traction Unit*

*Radiator & Cooling System*



All original equipment manufacturers names and part numbers are used for identification purposes only, and we are in no way implying that our products are original equipment parts. Prices subject to change without notice.



# Replaces Toro Reelmaster 5210-D Parts

*Traction Unit  
Radiator & Cooling System*



Item No	R&R Part No.	OEM Part No.	Description	Qty Req	Order Quantity
<b>Hoses</b>					
50	<b>R108-1693</b>	108-1693	Hose	1	
50	<b>R110-8955</b>	110-8955	Hose - Oil Cooler	1	
51	<b>R110-4104</b>	110-4104, 27-5340	Hose-Fuel	1	
52	<b>R110-3257</b>	110-3257, 63-7630	Hose-Fuel	1	
53	<b>R108-1696</b>	108-1696	Hose - Formed	1	
53	<b>R110-8942</b>	110-8942	Hose-Formed	1	
54	<b>R108-1697</b>	108-1697	Hose - Formed	1	
54	<b>R110-8943</b>	110-8943	Hose-Formed	1	
55	<b>R110-8752</b>	110-8752	Hose-Fuel	1	
<b>Other Parts Available</b>					
70	<b>R104-8300</b>	104-8300, 104-8300 , 119-4041	Locknut - 5/16-18 Flanged Y/Zinc	14	
71	<b>R108-1617-03</b>	108-1617-03	Frame-Radiator	1	
71	<b>R110-5251-03</b>	110-5251-03	Frame-Radiator	1	
72	<b>R110-5324</b>	110-5324	Seal-Foam	1	
72	<b>R110-5275</b>	110-5275	Seal-Foam-Radiator	1	
72	<b>R110-5276</b>	110-5276	Seal-Foam-Radiator	1	
73	<b>R1-603903</b>	1-603903	Spacer	5	
74	<b>R108-1843-03</b>	108-1843-03	Screen-Intake, Air	1	
75	<b>R3234-36</b>	3234-36	Bolt - 5/16-18 x 1 1/4 Hx HD Flange	5	

All original equipment manufacturers names and part numbers are used for identification purposes only, and we are in no way implying that our products are original equipment parts. Prices subject to change without notice.



# Replaces Toro Reelmaster 5210-D Parts

*Traction Unit*

*Radiator & Cooling System*



Item No	R&R Part No.	OEM Part No.	Description	Qty Req	Order Quantity
76	<b>R2412-129</b>	2412-129, 94-3188, 94-3189, 94-3193, 94-3203, 94-3204	Clamp - Worm 9/16-1 1/4	4	
77	<b>RX1G64272400</b>	104-9318, 105-3753, 98-9323, 98-9397	Kubota Tank - Reserve Assy	1	
78	<b>R92-2379</b>	92-2379	Clamp - Hose	3	
79	<b>R3234-5</b>	3234-5, 62-3310	Bolt - 5/16-18x3/4 Hx Ser Was HD	9	
80	<b>R93-5957</b>	93-5957	Cap - Radiator	1	
81	<b>R32128-49</b>	32128-49	Nut - 1/2-13 Hex Flange	4	
82	<b>R301504</b>	2296-42, 301504, 32127-24, 32128-33, 32146-17, 3296-16, 3296-42, 3296-42 , 915661P	Locknut - ESNA 1/4-20	1	
83	<b>R108-1665-03</b>	108-1665-03	Bracket-Reservior	1	
84	<b>R3234-13</b>	3234-13, 960151P	Bolt - Flanged Hex 1/4-20	1	
85	<b>R108-1666-03</b>	108-1666-03	Bracket-Reservoir	1	
86	<b>R304-46</b>	304-46	Draincock	1	
87	<b>R32144-14</b>	32104-32, 32104-49, 32144-14	Bolt - Hex Washer 5/16-18 x 5/8	6	

All original equipment manufacturers names and part numbers are used for identification purposes only, and we are in no way implying that our products are original equipment parts. Prices subject to change without notice.



# Replaces Toro Reelmaster 5210-D Parts

*Traction Unit*

*Radiator & Cooling System*



Item No	R&R Part No.	OEM Part No.	Description	Qty Req	Order Quantity
88	<b>R455012</b>	3256-26, 41-8440	Washer - Flat 1/2 x 3/4	4	
89	<b>R325-17</b>	01-150-0640, 01-150-0850, 01-178-0832, 01-178-0836, 20-97-AGD, 325-17, 325-18, 48-9260	Bolt - Hex Head	2	
90	<b>R104-5429</b>	104-5429	Clamp - Form, Wire	2	
91	<b>R104-5460-03</b>	104-5460-03	Plate-Mount, Oil Cooler	2	
91	<b>R104-5428</b>	104-5428, 104-5428-03, 114-4193	Bracket-Oil Cooler	2	
91	<b>R107-2043-03</b>	107-2043-03	Bracket-Oil Cooler	2	
92	<b>R3290-378</b>	30-1740, 3290-378, 52-6570, 60-4340	Cable Tie	1	
93	<b>R75-1040</b>	75-1040	Cooler - Oil	1	
93	<b>R150845</b>	100-4869	Oil Cooler	1	
93	<b>R150955</b>	110-0485	Cooler - Hydraulic Oil	1	
94	<b>R2412-34</b>	2412-34, 31-0120	Clamp - Hose .75-1.5	4	
95	<b>R3290-382</b>	3269-15, 3290-382	Rivet - 5/32 x 1/2 Pop Rivet	2	
96	<b>R115-1554</b>	105-3912, 115-1554, 115-1554-01	Latch-Draw	1	
97	<b>R110-0952-03</b>	110-0952-03	Screen Assy	1	

All original equipment manufacturers names and part numbers are used for identification purposes only, and we are in no way implying that our products are original equipment parts. Prices subject to change without notice.



# Replaces Toro Reelmaster 5210-D Parts

*Traction Unit*

*Radiator & Cooling System*



Item No	R&R Part No.	OEM Part No.	Description	Qty Req	Order Quantity
97	<b>R110-5269-03</b>	110-5269-03	Screen Assy	1	
98	<b>R110-5311</b>	110-5311, R110-5311	Shroud - Radiator	1	

All original equipment manufacturers names and part numbers are used for identification purposes only, and we are in no way implying that our products are original equipment parts. Prices subject to change without notice.