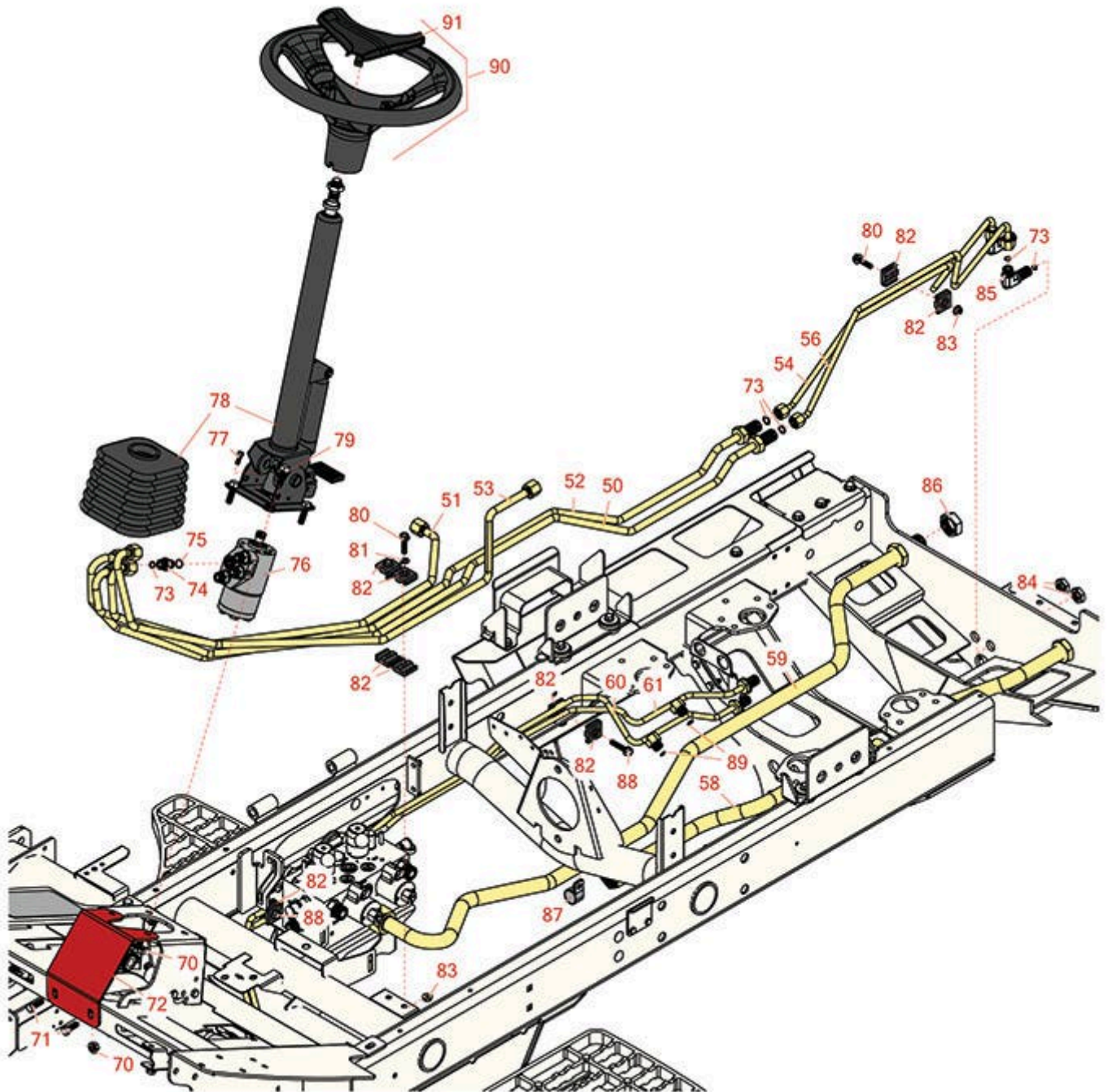




# Replaces Toro Reelmaster 5210-D Parts

Traction Unit  
Steering Column



All original equipment manufacturers names and part numbers are used for identification purposes only, and we are in no way implying that our products are original equipment parts. Prices subject to change without notice.



# Replaces Toro Reelmaster 5210-D Parts

Traction Unit  
Steering Column



Item No	R&R Part No.	OEM Part No.	Description	Qty Req	Order Quantity
<b>Hoses</b>					
50	<b>R108-1713</b>	108-1713	Tube Assy	1	
51	<b>R108-1710</b>	108-1710	Tube Assy	1	
52	<b>R108-1712</b>	108-1712	Tube Assy	1	
53	<b>R108-1711</b>	108-1711	Tube Assy	1	
54	<b>R108-7630</b>	108-7630	Tube Assy	1	
<i>Tech Note: Fits 2006-2009:</i>					
54	<b>R110-9020</b>	110-9020	Tube - Hyd	1	
55	<b>R108-7629</b>	108-7629	Tube Assy	1	
<i>Tech Note: Fits 2006-2009:</i>					
55	<b>R110-9019</b>	110-9019	Tube - Hyd	1	
56	<b>R108-1691</b>	108-1691	Tube Assy	1	
57	<b>R108-1700</b>	108-1700	Tube Assy	1	
58	<b>R108-1720</b>	108-1720	Tube Assy	1	
59	<b>R108-1721</b>	108-1721	Tube Assy	1	
<b>Other Parts Available</b>					
70	<b>R104-8301</b>	104-8301, 104-9301, 109-6658, 133-7570	Locknut - 3/8-16 Nylon Flanged	14	
71	<b>R3234-11</b>	3234-11	Bolt - Hex Washer HD	2	
72	<b>R110-8876-01</b>	110-8876-01	Brace - Column	1	

All original equipment manufacturers names and part numbers are used for identification purposes only, and we are in no way implying that our products are original equipment parts. Prices subject to change without notice.



# Replaces Toro Reelmaster 5210-D Parts

*Traction Unit  
Steering Column*



Item No	R&R Part No.	OEM Part No.	Description	Qty Req	Order Quantity
73	<b>R237-22</b>	107-8844, 237-22, 237-78	O-Ring	4	
74	<b>R340-2</b>	340-2, 60-1920	Hydraulic Fitting - Striaight	4	
75	<b>R237-42</b>	237-42, 31-4160	O-Ring	4	
76	<b>R106-3621</b>	106-3621	Valve - Steering	1	
77	<b>R105-2409</b>	105-2409	M6-1.0 x 16 Socket HD C/S Pln	4	
78	<b>R106-3622</b>	106-3622	Column Assy - Tilt	1	
79	<b>R3274-1</b>	3274-1	Bolt - 3/8-16 x 1 1/4 Soc HD Cap	4	
80	<b>R322-7</b>	01-150-0750, 01-150-0760, 01-178-0512, 20-28-AD, 20-28-AGD, 322-7, 3223-4	Bolt - Hex HD 5/16-18 x 1-1/2	2	
81	<b>R453009</b>	01-166-0400, 24-10-BD, 24-9-AD, 32-9650, 3256-2, 3256-23, 3256-3, 3256-67, 3290-217, 3556-3, 4-2390, 7-0152	Washer - Flat 5/16 SAE	2	
82	<b>R56-7973</b>	56-7973	Clamp - Tube	6	
83	<b>R104-8300</b>	104-8300, 104-8300 , 119-4041	Locknut - 5/16-18 Flanged Y/Zinc	3	

All original equipment manufacturers names and part numbers are used for identification purposes only, and we are in no way implying that our products are original equipment parts. Prices subject to change without notice.



# Replaces Toro Reelmaster 5210-D Parts

*Traction Unit  
Steering Column*



Item No	R&R Part No.	OEM Part No.	Description	Qty Req	Order Quantity
84	<b>R340-70</b>	340-70	Nut - Lock	4	
85	<b>R340-154</b>	340-154, 93-9150	Union - Bulkhead	2	
86	<b>R340-126</b>	340-126	Nut - Bulkhead	2	
87	<b>R2412-4</b>	2412-4, Oct-70, Oct-80	Clamp - 3/4 in	1	
88	<b>R32144-57</b>	32144-57	Bolt - Hex Washer 5/16-18 x 1-1/2	1	
89	<b>R237-21</b>	237-21, 327-21	O-Ring	2	
90	<b>R98-1471</b>	93-5212, 94-3500, 98-1471	Steering Wheel Assy - 14 in Incl Cap	1	
91	<b>R98-1468</b>	98-1468	Cap - 14" Steering Wheel	1	

All original equipment manufacturers names and part numbers are used for identification purposes only, and we are in no way implying that our products are original equipment parts. Prices subject to change without notice.