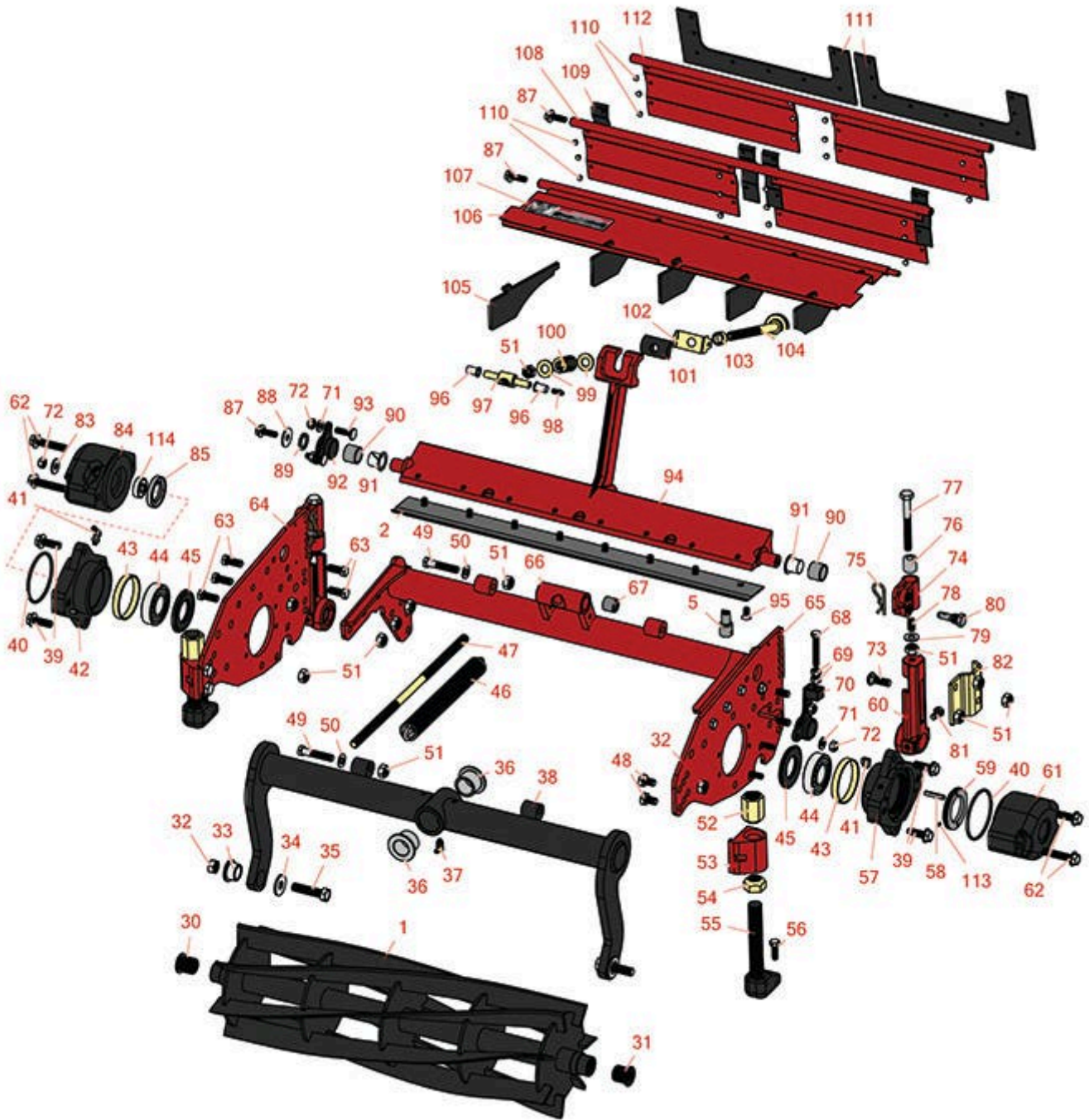




Replaces Toro Reelmaster 6700D Parts

Cutting Unit - Models 03857, 03858 & 03859
Reel & Bedknife



All original equipment manufacturers names and part numbers are used for identification purposes only, and we are in no way implying that our products are original equipment parts. Prices subject to change without notice.



Replaces Toro Reelmaster 6700D Parts

Cutting Unit - Models 03857, 03858 & 03859
Reel & Bedknife



Item No	R&R Part No.	OEM Part No.	Description	Qty Req	Order Quantity
R&R Reels, Lifetime Guaranteed					
1	R95-2770	95-2770	Reel - 7 Blade	1	
1	R94-4337	93-7520, 94-4337	Reel - 5 Blade	1	
1	R94-4338	93-7521, 94-4338	Reel - 11 Blade	1	
R&R Bedknives, Lifetime Guaranteed					
2	R93-9774	93-9774	Bedknife - 5/16	1	
2	R94-8936	94-8936	Bedknife - 1/2	1	
2	R98-3994	98-3994	Bedknife - 3/8	1	
2	R104-1810	104-1810	Bedknife - High Cut	1	
Service Tools					
3	R51-0880	51-0880	Bedknife Screw Driver Tool	0	
Other Parts Available					
30	R94-2732	94-2732	Insert - Threaded RH	1	
31	R94-2733	94-2733	Insert - Threaded LH	1	
32	R94-4307	94-4307	Nut-Hex Lock	2	
33	R93-2877	93-2877	Bushing - Flanged	2	
34	R94-2701	94-2701	Washer - Hardened	2	
35	R94-2702	94-2702	Bolt - Hex HD M12-1.75 x 50	2	
36	R94-1291	94-1291	Bushing - Flanged	2	
37	R302-60	302-60	Zerk - Grease 90 Deg.	1	

All original equipment manufacturers names and part numbers are used for identification purposes only, and we are in no way implying that our products are original equipment parts. Prices subject to change without notice.



Replaces Toro Reelmaster 6700D Parts

Cutting Unit - Models 03857, 03858 & 03859
Reel & Bedknife



Item No	R&R Part No.	OEM Part No.	Description	Qty Req	Order Quantity
38	R100-8011	100-8011, 98-7972, 98-7973, 99-2457	Carrier Frame Assy	1	
39	R33105-030	33105-030	Bolt - Hex Washer M10	4	
40	R93-9783	93-9783	O-Ring - Reel	2	
41	R700414	302-11, 302-19, 302-4, 32-8170	Zerk - Grease 1/4-28 45 Deg	2	
42	R93-9794	93-9794	Housing - Bearing RH	1	
43	R93-2922	93-2922, 93-9793	Ring - Wear Bearing Housing	2	
44	R93-2489	93-2489	Bearing - Reel	2	
45	R94-8908	93-2483, 94-8908	Seal - Reel	2	
46	R92-7768	86-0080, 92-7768	Spring-Compression	1	
47	R99-8661	99-8661	Rod-Spring	1	
48	R33115-016	33115-016	Bolt - Hex HD M10 x 16	4	
49	R99-8664	99-8664	Bolt - Hx HD	1	

All original equipment manufacturers names and part numbers are used for identification purposes only, and we are in no way implying that our products are original equipment parts. Prices subject to change without notice.



Replaces Toro Reelmaster 6700D Parts

Cutting Unit - Models 03857, 03858 & 03859

Reel & Bedknife



Item No	R&R Part No.	OEM Part No.	Description	Qty Req	Order Quantity
50	R453011	01-166-0100, 01-166-0120, 01-166-0270, 01-166-0500, 01-166-0600, 01-166-0620, 132-4593, 2356-3, 237-12, 24-10-AD, 24-11-AD, 24-11-BD, 24-12-AD, 24-12-BD, 30-9310, 32-8190, 3256-24, 3256-3, 3256-36, 3256-4, 453011, 47-9950, 48-9220, 513458, 7-0052	Washer - Flat 3/8 SAE Y/Zinc	2	
51	R33025-00	32025-00, 33025-00	Locknut - 10mm x 1.5 Jam	12	
52	R95-2790	95-2790	Nut - Roller Adj Long	2	
53	R95-7733	95-7733, 95-7733-01	Bracket - HOC	2	
54	R95-2789	95-2789	Nut - Roller Adj Short	2	
55	R95-2783	100-7100, 95-2783	Rod - Support Assy H.O.C.	2	
56	R57-6380	33114-025, 48-9460, 60-4540	Bolt - Hex HD M8-1.25 x 25	2	
57	R93-9795	93-9795	Housing - Bearing LH	1	

All original equipment manufacturers names and part numbers are used for identification purposes only, and we are in no way implying that our products are original equipment parts. Prices subject to change without notice.



Replaces Toro Reelmaster 6700D Parts

Cutting Unit - Models 03857, 03858 & 03859

Reel & Bedknife



Item No	R&R Part No.	OEM Part No.	Description	Qty Req	Order Quantity
58	R32121-69	120-8095, 32121-69	Pin - Roll 1/4 x 1-1/4	4	
59	R93-9786	105-6756, 93-9786, 95-2793, 99-5672	Nut - Bearing Adj Incl R3245-42	1	
60	R93-2904	93-2904, 93-2904-01	Bracket - Rear Roller	2	
61	R105-4011-03	105-4011, 105-4011-03, 94-4347, 94-4347-01, 94-4347-03	Weight - End	1	
62	R93-7522	93-7522	Bolt - Hx HD M10-1.5 x 90	4	
63	R33105-025	33105-025	Bolt - Hex HD M10-1.5 x 25	8	
64	R93-2981-01	93-2981, 93-2981-01	Sideplate- RH	1	
65	R93-2982-01	93-2982, 93-2982-01	Sideplate - LH	1	
66	R100-4994-01	100-4994-01	Frame-Reel	1	
67	R62-5510	52-2870, 62-5510	Bushing	2	
68	R94-3489	75-8530, 94-3489	Bolt - Hex HD M8 x 50	1	
69	R14M7298	104-2612, 33004-00	Nut - 8mm x 1.25 Flanged	4	
70	R93-2512	93-2512	Hub - Pivot LH Bed Bar	1	
70	R100-3381	100-3381	Hub - Pivot LH Bed Bar	1	

Tech Note: Includes R93-7501:

All original equipment manufacturers names and part numbers are used for identification purposes only, and we are in no way implying that our products are original equipment parts. Prices subject to change without notice.



Replaces Toro Reelmaster 6700D Parts

Cutting Unit - Models 03857, 03858 & 03859

Reel & Bedknife



Item No	R&R Part No.	OEM Part No.	Description	Qty Req	Order Quantity
71	R33094-00	33094-00, 93-5914	Washer - Flat - 8mm Hardened	4	
72	R33024-00	33024-00	Locknut - 8mm x 1.25	5	
73	R33125-030	33125-030, 93-6452	Bolt - Carriage M10 x 30	2	
74	R93-2902-01	93-2902-01	Support - HOC - Rear	2	
75	R3290-467	3290-467	Pin-Hair	2	
76	R94-4344	94-4344	Spacer	2	
77	R93-7500	93-7500	Bolt - Hx HD M10-1.5 x 90	2	
78	R93-2921	93-2921	Spring - Compression	2	
79	R93-7509	93-7509	Washer - Special	2	
80	R93-2906	93-2906	Pin - HOC	2	
81	R93-9757	93-9757	Bolt - Hex HD Nyloc M8 x 16	2	
82	R61-0910	61-0910	Bracket	2	
83	R453009	01-166-0400, 24-10-BD, 24-9-AD, 32-9650, 3256-2, 3256-23, 3256-3, 3256-67, 3290-217, 3556-3, 4-2390, 7-0152	Washer - Flat 5/16 SAE	1	
83	R310266	3256-23, 3256-3, 3556-3	Washer - Flat 5/16 USS	1	
84	R93-3080-03	93-3080-03	Housing, End Cap	1	

All original equipment manufacturers names and part numbers are used for identification purposes only, and we are in no way implying that our products are original equipment parts. Prices subject to change without notice.



Replaces Toro Reelmaster 6700D Parts

Cutting Unit - Models 03857, 03858 & 03859
Reel & Bedknife



Item No	R&R Part No.	OEM Part No.	Description	Qty Req	Order Quantity
85	R253-117	253-117, 253-165	Seal - Outer Triple Lip	1	
87	R33104-020	33104-020	Bolt - Hex Washer HD	4	
88	R3256-82	3256-82	Washer - Flat	2	
89	R93-7510	93-7510	Ring - Quad RH Pivot Hub	2	
90	R93-7501	93-7501	Bushing	2	
91	R93-7502	93-7502	Bushing - Flanged Nylon	2	
92	R93-2513	93-2513	Hub - Pivot RH	1	
92	R100-3380	100-3380	Hub - Pivot RH Bed Bar	1	
<i>Tech Note: Includes R93-7501:</i>					
93	R94-2738	94-2738	Bolt - Carriage M8-1.25 x 25	4	
94	R99-8698	93-2854, 95-3458, 99-8698-01	Bed Bar	1	
95	R150476	3-3816, 3-6462, 52-4910, 57-4910	Screw - Bedknife 5/16-18 x 5/8	8	
96	R52-2890	52-2890	Bushing - Flanged	2	
97	R57-5260	107-7409, 57-5260	Pivot - 1/2-20 - Bed Bar	1	
98	R302-18	302-18	Zerk - Grease Press Style	1	
99	R29-8910-01	29-8910	Washer - Flat 1/2	2	
100	R95-0772	93-2915, 95-0772	Spring - Bed Bar Adjuster	1	
101	R93-2892	93-2892	Pivot - Plastic - Bed Bar	1	

All original equipment manufacturers names and part numbers are used for identification purposes only, and we are in no way implying that our products are original equipment parts. Prices subject to change without notice.



Replaces Toro Reelmaster 6700D Parts

Cutting Unit - Models 03857, 03858 & 03859
Reel & Bedknife



Item No	R&R Part No.	OEM Part No.	Description	Qty Req	Order Quantity
102	R95-8752	93-9767, 95-8752	Arm - Spring	1	
103	R93-2959	93-2959	Spacer - Bed Bar Assy	1	
104	R95-8877	106-7536, 93-2957, 95-2762, 95-8877	Handle - Bed Bar Adjustment	1	
105	R100-2287	100-2287	Deflector-Shield,	5	
106	R98-7978	93-9761, 94-8942, 98-7978	Front Grass Shield	1	
107	R67-7960	27-2890, 62-5070, 67-7960	Decal - Warning	1	
108	R98-3998-01	98-3998, 98-3998-01	Rear Grass Shield	1	
<i>Tech Note: Fits 1998:</i>					
109	R98-3999	98-3999	Flap-Side-Rubber	2	
110	R700382	700382	Rivet - Guard	18	
111	R99-5725	99-5725	Flap - Rear	2	
112	R100-3369	100-3369	Grass Shield - Rear	1	
<i>Tech Note: Fits 1999:</i>					
113	R3245-42	3245-42	Screw - Set 8/32 x 1/4	1	
114	R93-2956	93-2956	Bearing-Ball	1	

All original equipment manufacturers names and part numbers are used for identification purposes only, and we are in no way implying that our products are original equipment parts. Prices subject to change without notice.