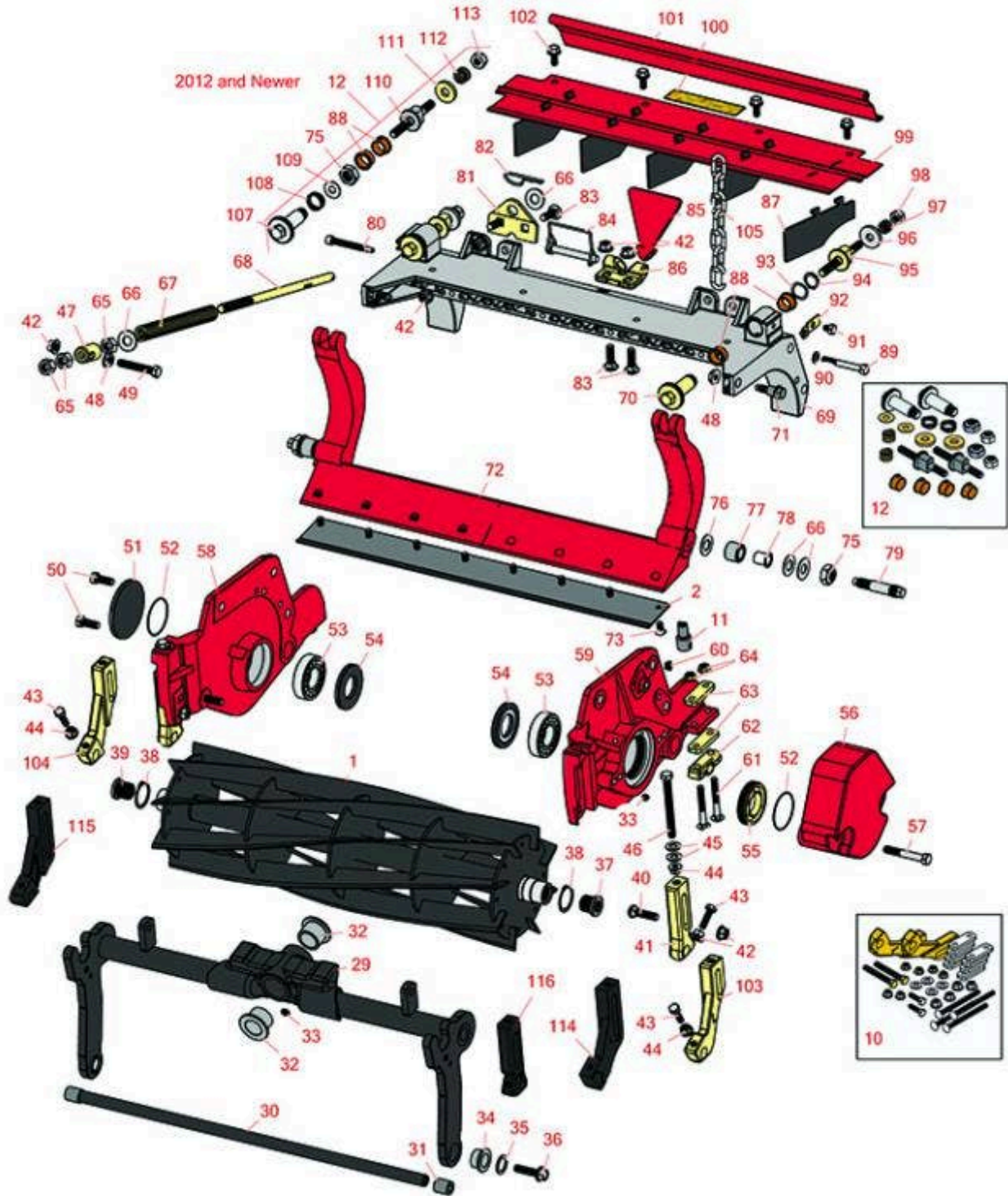




Replaces Toro Reelmaster 6700D Parts

DPA Cutting Unit - Models 03863, 03864, 03698 & 03699
Reel & Bedknife



All original equipment manufacturers names and part numbers are used for identification purposes only, and we are in no way implying that our products are original equipment parts. Prices subject to change without notice.



Replaces Toro Reelmaster 6700D Parts

DPA Cutting Unit - Models 03863, 03864, 03698 & 03699
Reel & Bedknife



Item No	R&R Part No.	OEM Part No.	Description	Qty Req	Order Quantity
1	R127-2077	127-2077	Reel - 5 Blade Radial 22x7	1	
<i>Tech Note: Use W/Painted Endplates Only:</i>					
1	R133-8209	133-8209	Reel - 5 Blade Razor Series Radial Low Drag 22x7	1	
<i>Tech Note: Uses special high alloy premium steel reel blades & Painted Endplates:</i>					
1	R137-8437	137-8437	Reel - 5 Blade Razor Series Radial Low Drag w/Bearings and Seals 22x7	1	
<i>Tech Note: Uses special high alloy premium steel reel blades & Painted Endplates:</i>					
1	R107-3264	107-3264	Reel - 8 Blade 22x7	1	
<i>Tech Note: W/Positive Blade Rake Angle Use W/Painted Endplates Only:</i>					
1	R108-9073	108-9073	Reel - 8 Blade Radial 22x7	1	
<i>Tech Note: W/Negative Blade Rake Angle & Use W/Painted Endplates Only:</i>					
1	R127-2084	127-2084	Reel - 8 Blade Radial Low Drag 22x7	1	
<i>Tech Note: Use W/Painted Endplates Only:</i>					
1	R133-8211	133-8211	Reel - 8 Blade Razor Series Radial w/Bearings and Seals 22x7	1	
<i>Tech Note: Uses special high alloy premium steel reel blades & Painted Endplates:</i>					
1	R137-8432	137-8432	Reel - 8 Blade Radial w/Bearings and Seals 22x7	1	
<i>Tech Note: Use W/Painted Endplates Only:</i>					
1	R137-8438	137-8438	Reel - 8 Blade Razor Series Radial Low Drag w/Bearings and Seals 22x7	1	
<i>Tech Note: Uses special high alloy premium steel reel blades & Painted Endplates:</i>					

All original equipment manufacturers names and part numbers are used for identification purposes only, and we are in no way implying that our products are original equipment parts. Prices subject to change without notice.



Replaces Toro Reelmaster 6700D Parts

DPA Cutting Unit - Models 03863, 03864, 03698 & 03699
Reel & Bedknife



Item No	R&R Part No.	OEM Part No.	Description	Qty Req	Order Quantity
1	R117-0980	117-0980	Reel - 11 Blade 22x7	1	
<i>Tech Note: W/Positive Blade Rake Angle and Use W/Painted Endplates Only:</i>					
1	R108-9074	108-9074	Reel - 11 Blade 22x7	1	
<i>Tech Note: W/Negative Blade Rake Angle and Use W/Painted Endplates Only:</i>					
1	R127-0294	127-0294	Reel - 11 Blade Razor Series Forward Swept Low Drag 22x7	1	
<i>Tech Note: Uses special high alloy premium steel reel blades & Painted Endplates:</i>					
1	R127-2085	127-2085	Reel - 11 Blade Radial Low Drag 22x7	1	
<i>Tech Note: Use W/Painted Endplates Only:</i>					
1	R137-8439	137-8439	Reel - 11 Blade Razor Series Forward Swept Low Drag w/Bearings and Seals 22x7	1	
<i>Tech Note: Uses special high alloy premium steel reel blades & Painted Endplates:</i>					
1	R137-8433	137-8433	Reel - 11 Blade Radial w/Bearings and Seals 22x7	1	
<i>Tech Note: Use W/ Painted Endplates:</i>					
R&R Bedknives, Lifetime Guaranteed					
2	R108-9096	108-9096	Bedknife - Standard	1	
2	R110-4074	110-4074	Bedknife - High Cut	1	
2	R110-4084	110-4084	Bedknife - Low Cut	1	
2	R120-1640	120-1640	Bedknife - Low Cut Extended	1	
R&R Razor Tool Steel Bedknives, Lifetime Guaranteed					
2	R108-9095	108-9095, 137-0833	Bedknife - Razor Tool Steel - 22 High Cut	1	

All original equipment manufacturers names and part numbers are used for identification purposes only, and we are in no way implying that our products are original equipment parts. Prices subject to change without notice.



Replaces Toro Reelmaster 6700D Parts

DPA Cutting Unit - Models 03863, 03864, 03698 & 03699
Reel & Bedknife



Item No	R&R Part No.	OEM Part No.	Description	Qty Req	Order Quantity
2	R119-4280	119-4280	Bedknife - Razor Tool Steel - 22 x 3/8 Extended	1	

Overhaul Kits & Service Tools

10	R110-9600	110-9600	High HOC Kit	1	
<i>Tech Note: Includes 1 ea.: R120-0404, R120-0405 & 2 ea.: R112-7451, R322-16, R445722 & 4 ea.: R106-9758, R104-8300, R453011, R104-8301 & 8 ea.: R106-3925:</i>					

11	R51-0880	51-0880	Bedknife Screw Driver Tool	1	
12	R120-7230	120-7230	Overhaul Kit - Fits DPA Units	1	
<i>Tech Note: Incl 2 ea.: R108-0015, R115-7039, R119-4155, R120-5116, R120-5118, R120-5120, R3296-33, R3296-48 & 4 ea.: R106-5344:</i>					

Other Parts Available

29	R110-9713	110-9713	Carrier Frame Assy	1	
<i>Tech Note: Includes 2 each: R94-1291 Bushings and R93-2877 Bushings:</i>					
30	R108-4284	108-4284	Shaft - Support	1	
31	R108-4279	108-4279	Spacer - Frame	2	
32	R94-1291	94-1291	Bushing - Flanged	2	
33	R302-5	21-6010, 302-11, 302-37, 302-47, 302-5, 302-57, 302-58, 302-6, 31-0300, 32-9660, 60-0800, 62-3880, 92-4181	Fitting - Grease	3	
34	R93-2877	93-2877	Bushing - Flanged	2	

All original equipment manufacturers names and part numbers are used for identification purposes only, and we are in no way implying that our products are original equipment parts. Prices subject to change without notice.



Replaces Toro Reelmaster 6700D Parts

*DPA Cutting Unit - Models 03863, 03864, 03698 & 03699
Reel & Bedknife*



Item No	R&R Part No.	OEM Part No.	Description	Qty Req	Order Quantity
35	R67-9410	67-9410	Washer - Clevis Pin	2	
36	R3234-19	3234-19	Bolt - Hex Washer 3/8-16x1-3/4	2	
37	R107-3275	107-3275	Insert - Threaded - RH - 9 Tooth	1	
38	R92-2601	92-2601	Snap Ring	2	
39	R107-3276	107-3276	Insert - Threaded - LH - 9 Tooth	1	
40	R3231-4	01-157-0440, 01-173-0612, 3231-4	Bolt - Carriage 3/8-16 x 1-1/2	2	
41	R107-2952	107-2952	Bracket - Front Roller	2	
42	R104-8301	104-8301, 104-9301, 109-6658, 133-7570	Locknut - 3/8-16 Nylon Flanged	5	
43	R322-16	322-16, Apr-00	Bolt - Hex HD 5/16-18 x 1-1/8	2	
44	R445722	30-8980, 32128-2, 32128-20, 32128-20 , 445722	Nut - Serrated Washer	4	

All original equipment manufacturers names and part numbers are used for identification purposes only, and we are in no way implying that our products are original equipment parts. Prices subject to change without notice.



Replaces Toro Reelmaster 6700D Parts

DPA Cutting Unit - Models 03863, 03864, 03698 & 03699
Reel & Bedknife



Item No	R&R Part No.	OEM Part No.	Description	Qty Req	Order Quantity
45	R453011	01-166-0100, 01-166-0120, 01-166-0270, 01-166-0500, 01-166-0600, 01-166-0620, 132-4593, 2356-3, 237-12, 24-10-AD, 24-11-AD, 24-11-BD, 24-12-AD, 24-12-BD, 30-9310, 32-8190, 3256-24, 3256-3, 3256-36, 3256-4, 453011, 47-9950, 48-9220, 513458, 7-0052	Washer - Flat 3/8 SAE Y/Zinc	4	
46	R112-7451	100-9429, 112-7451	Bolt - Hex Tap 3/8-16 x 2-3/4	2	
46	R107-4026	107-4026	Bolt - Hex Tap 3/8-16 x 3-3/4	2	
47	R99-8662	99-8662	Tube - Spring	1	
48	R32128-43	30-8990, 32128-43, 3290-357	Nut - Flanged Whiz - 3/8-16	3	
49	R104-3396	104-3396	Bolt - Hex HD 3/8-16 x 2-1/4	1	

All original equipment manufacturers names and part numbers are used for identification purposes only, and we are in no way implying that our products are original equipment parts. Prices subject to change without notice.



Replaces Toro Reelmaster 6700D Parts

DPA Cutting Unit - Models 03863, 03864, 03698 & 03699
Reel & Bedknife



Item No	R&R Part No.	OEM Part No.	Description	Qty Req	Order Quantity
50	R323-6	01-150-0010, 01-178-0608, 20-47-AD, 20-47-AGD, 3224-2, 323-6, 49-3510, 908034P, 908332	Bolt - Hex HD 3/8-16 x 1 GR5 YZ	2	
51	R94-2703	94-2703	Plug - Plastic Spindle Housing	1	
52	R112-6967	112-6967	O-Ring	2	
53	R93-2489	93-2489	Bearing - Reel	2	
54	R107-4028	105-6757, 107-4028	Seal - Grease	2	
55	R107-2954	107-2954	Nut - Bearing Adjuster	1	
56	R108-4269-01	108-4269-01	Weight	1	
57	R101526	01-150-0970, 01-178-0620, 101526, 20-53-AGD, 321-11, 3224-8, 323-11, 323-12, 323-31, 323-4, 323-47	Bolt - Hex HD 3/8-16 x 2-1/2 GR5	2	
58	R108-9083	108-9083	Side Plate - RH - Fits OEM Units Only	1	
59	R108-9082	108-9082	Side Plate - LH - Fits OEM Units Only	1	
60	R170714	302-34, 302-39, 62-3520	Fitting - Pressure Relief	2	

All original equipment manufacturers names and part numbers are used for identification purposes only, and we are in no way implying that our products are original equipment parts. Prices subject to change without notice.



Replaces Toro Reelmaster 6700D Parts

DPA Cutting Unit - Models 03863, 03864, 03698 & 03699
Reel & Bedknife



Item No	R&R Part No.	OEM Part No.	Description	Qty Req	Order Quantity
61	RP17609-2	106-9758, 3230-7	Bolt - Carriage 5/16-18 x 1-1/2	4	
62	R106-3924	106-3924	Bracket - Rear Roller	2	
63	R106-3925	106-3925	Shim - 1/4 - Rear Roller HOC	4	
64	R104-8300	104-8300, 104-8300 , 119-4041	Locknut - 5/16-18 Flanged Y/Zinc	4	
65	R443818	01-191-0813, 3218-18, 3218-5, 3248-18	Nut - 1/2-13 Hex Jam Zinc	3	
66	R453017	01-166-0050, 01-166-0240, 01-166-0800, 24-13-AD, 24-14-AD, 32-8110, 3256-26, 3256-6, 453017, 69-8980, 87-7270	Washer - Flat 1/2	2	
67	R110-4079	110-4079	Spring	1	
68	R115-2007	107-7437, 115-2007	Rod - Spring	1	
69	R107-3258	107-3258	Frame	1	
70	R106-5363	106-5363	Shaft - Adjusting - Bed Bar - Stainless	2	
71	R107-2979	107-2979	Bolt - Shoulder	6	
72	R107-3273-01	107-3273-01	Bed Bar - Fits OEM Units Only	1	

All original equipment manufacturers names and part numbers are used for identification purposes only, and we are in no way implying that our products are original equipment parts. Prices subject to change without notice.



Replaces Toro Reelmaster 6700D Parts

DPA Cutting Unit - Models 03863, 03864, 03698 & 03699
Reel & Bedknife



Item No	R&R Part No.	OEM Part No.	Description	Qty Req	Order Quantity
73	R150476	3-3816, 3-6462, 52-4910, 57-4910	Screw - Bedknife 5/16-18 x 5/8	8	
73	R150475	3-6462, 3-6642	Screw - Bedknife Stainless 5/16-18 x 5/8	8	
<i>Tech Note: Pre-Packaged in bags of 50:</i>					
75	R3296-33	3296-33	Locknut - 5/8-18 ESNA Jam	2	
76	R61-1950	61-1950	Washer - Nylon - Bed Bar	4	
77	R106-9618	106-9618	Bushing - Rubber	2	
78	R56-9520	56-9520	Bushing - Nyliner	2	
79	R106-9623	106-9623	Bolt - Bedbar	2	
80	R107-7773	107-7773	Bolt - Soc HD Cap 5/16-18 x 2-1/2	1	
81	R110-4069	110-4069	Bracket	1	
82	R92-2762	92-2762	Pin - Snap	1	
83	R3231-25	01-173-0610, 30-9970, 3231-25, 3231-3, 900064P	Bolt - Carriage 3/8-16 x 1-1/4	4	
84	R107-7400	107-7400	Pin - Lynch	1	
85	R110-4088-03	110-4088-03, 119-8010-03	Kickstand	1	
86	R110-4058	110-4058	Bracket - Chain	1	
87	R110-1706	110-1706	Deflector	5	
88	R106-5344	106-5344	Bushing - Flanged and Keyed	4	

All original equipment manufacturers names and part numbers are used for identification purposes only, and we are in no way implying that our products are original equipment parts. Prices subject to change without notice.



Replaces Toro Reelmaster 6700D Parts

DPA Cutting Unit - Models 03863, 03864, 03698 & 03699
Reel & Bedknife



Item No	R&R Part No.	OEM Part No.	Description	Qty Req	Order Quantity
89	R322-14	01-150-0830, 01-178-0524, 30-8900, 322-14	Bolt - Hex HD 5/16-18 x 3 GR5	1	
90	R3256-74	3256-74	Washer - Flat	1	
91	R114-9396	114-9396, 119-4067	Bolt - Hex HD 5/16-18 x 3/8	2	
92	R99-2097	99-2097	Detent - Bed Bar Adjuster	2	
93	R106-5335	106-5335	Wave Washer - Reel Adjusting	2	
94	R32120-93	32120-93	Snap Ring - HD	2	
95	R99-2096	99-2096	Screw - Bed Bar Adjustment - M10 Thrd 1 End	2	
96	R99-2098	99-2098	Washer - Bed Bar Adjuster	2	
96	R119-4155	119-4155	Washer - Hardened	2	
97	R99-3755	99-3755	Spring - Bed Bar Adjusting	2	
98	R33025-00	32025-00, 33025-00	Locknut - 10mm x 1.5 Jam	2	
99	R107-2996	107-2996	Grass Shield - Front	1	
100	R93-6688	93-6688	Decal - Warning	1	
101	R107-7779-01	107-7779-01	Grass Shield Assy - Rear	1	
102	R3234-5	3234-5, 62-3310	Bolt - 5/16-18x3/4 Hx Ser Was HD	4	
103	R108-4213	108-4213	Bracket- HOC - LH - Groomer	1	
104	R108-4214	108-4214	Bracket-HOC - RH - Groomer	1	
105	R114-3972	114-3972	Chain	1	

All original equipment manufacturers names and part numbers are used for identification purposes only, and we are in no way implying that our products are original equipment parts. Prices subject to change without notice.



Replaces Toro Reelmaster 6700D Parts

DPA Cutting Unit - Models 03863, 03864, 03698 & 03699
Reel & Bedknife



Item No	R&R Part No.	OEM Part No.	Description	Qty Req	Order Quantity
107	R120-5118	120-5118	Shaft - Adjuster	2	
<i>Tech Note: 2012 & Newer:</i>					
108	R120-5116	120-5116	Washer - Wave	2	
109	R108-0015	108-0015	Washer - Flat	2	
110	R115-7039	115-7039	Screw - Adjuster - Bedbar	2	
112	R120-5120	120-5120	Spring - Compression	2	
113	R3296-48	119-4039, 32146-7, 3296-34, 3296-48	Locknut - 7/16-14 ESNA	2	
114	R120-0404	120-0404	Bracket- High HOC - LH	2	
<i>Tech Note: Fits 2011 & Newer:</i>					
115	R120-0405	120-0405	Bracket - High HOC - RH	2	
<i>Tech Note: Fits 2011 & Newer:</i>					
116	R125-2796	125-2796	Bracket- Front HOC	2	
<i>Tech Note: Fits 2013 & Newer:</i>					

All original equipment manufacturers names and part numbers are used for identification purposes only, and we are in no way implying that our products are original equipment parts. Prices subject to change without notice.