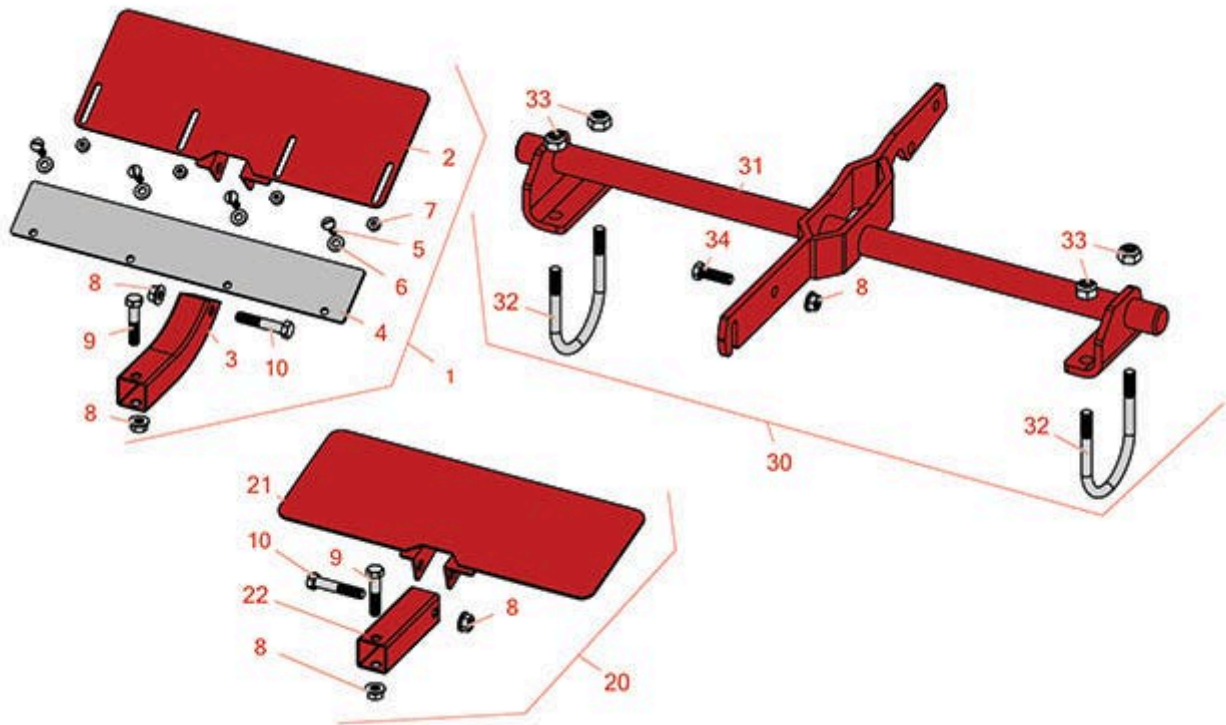




Replaces Toro Reelmaster Fairway

Parts

Cutting Unit
Accessories



All original equipment manufacturers names and part numbers are used for identification purposes only, and we are in no way implying that our products are original equipment parts. Prices subject to change without notice.



Replaces Toro Reelmaster Fairway

Parts

Cutting Unit
Accessories



Item No	R&R Part No.	OEM Part No.	Description	Qty Req	Order Quantity
1	R01030	01055	Kit - Grass Deflector	0	
<i>Tech Note: Includes 8 ea: R3256-22 Washer; 4 ea: R3290-133 Screw, R3296-8 Locknut; 2 ea: R3296-39 Locknut; 1 ea: R323-9 Bolt, R323-10 Bolt, R51-0810 Shield, R51-0830 Shield, R51-0840 Tube;</i>					
2	R51-0810	51-0810	Shield - Grass	2	
3	R51-0840	51-0840	Tube - Pivot Deflector	2	
4	R51-0830	51-0830	Shield - Plastic	2	
5	R3290-133	3290-113, 3290-133	Screw - Machine 1/4-20 x 3/4	8	
6	R3256-22	24-9-BD, 3-1032, 3256-1, 3256-22, 93-0954, 93-0989	Washer - Flat 1/4 Yellow	16	
7	R3296-8	32127-16, 3296-8, 352-86	Locknut - 1/4-20 Heavy Duty	8	
8	R3296-39	32127-25, 32128-36, 3290-357, 3296-17, 3296-22, 3296-39, 915663P, 99-7443	Locknut - 3/8-16 Nylon	4	

All original equipment manufacturers names and part numbers are used for identification purposes only, and we are in no way implying that our products are original equipment parts. Prices subject to change without notice.



Replaces Toro Reelmaster Fairway

Parts

Cutting Unit
Accessories



Item No	R&R Part No.	OEM Part No.	Description	Qty Req	Order Quantity
9	R323-9	01-150-0190, 01-150-1540, 01-178-0614, 107229, 20-50-AD, 20-50-AGD, 30-9430, 32105-4, 3224-5, 323-9, 513363, 513364, 5377, 908037P	Bolt - Hex HD 3/8-16 x 1-3/4	2	
10	R323-10	01-150-0680, 01-178-0616, 100-6663, 100-8320, 1489, 20-51-AD, 20-51-AGD, 3224-6, 323-10, 323-35, 908336	Bolt - Hex HD 3/8-16 x 2	2	
20	R01055	01055	Kit - Grass Deflector	0	
<i>Tech Note: Includes 2 ea: R3296-39 Locknut; 1 ea: R323-9 Bolt, R323-10 Bolt, R47-5340 Shield, R47-5380 Tube:</i>					
21	R47-5340	47-5340	Shield - Grass	2	
22	R47-5380	47-5380	Tube - Pivot	2	
30	R01050	01050	Adapter Kit - Fits Jac Pull Frame	1	
<i>Tech Note: Includes 4 ea: R3296-48 Locknut; 2 ea: R49-0520 U-Bolt, 1 ea: R3296-39 Locknut, R400264 Bolt, R49-0540 Bracket:</i>					
30	R01051		Adapter Kit - Fits F10	1	
<i>Tech Note: Includes 4 ea: R3296-48 Locknut; 2 ea: R49-0520 U-Bolt; 1 ea: R01052 Adapter, R3296-39 Locknut, R400264 Bolt:</i>					

All original equipment manufacturers names and part numbers are used for identification purposes only, and we are in no way implying that our products are original equipment parts. Prices subject to change without notice.



Replaces Toro Reelmaster Fairway

Parts

*Cutting Unit
Accessories*



Item No	R&R Part No.	OEM Part No.	Description	Qty Req	Order Quantity
31	R49-0540	49-0540	Bracket - Lift Adapter	1	
31	R01052		Adapter - Lift Bracket Fits F10	1	
32	R49-0520	49-0520	U-Bolt	2	
33	R3296-48	119-4039, 32146-7, 3296-34, 3296-48	Locknut - 7/16-14 ESNA	4	
34	R400264	01-150-0180, 01-178-0610, 20-48-AD, 20-48-AGD, 32-9160, 3224-3, 323-29, 323-7, 400264, 908035P	Bolt - Hex HD 3/8-16 x 1-1/4	1	

All original equipment manufacturers names and part numbers are used for identification purposes only, and we are in no way implying that our products are original equipment parts. Prices subject to change without notice.