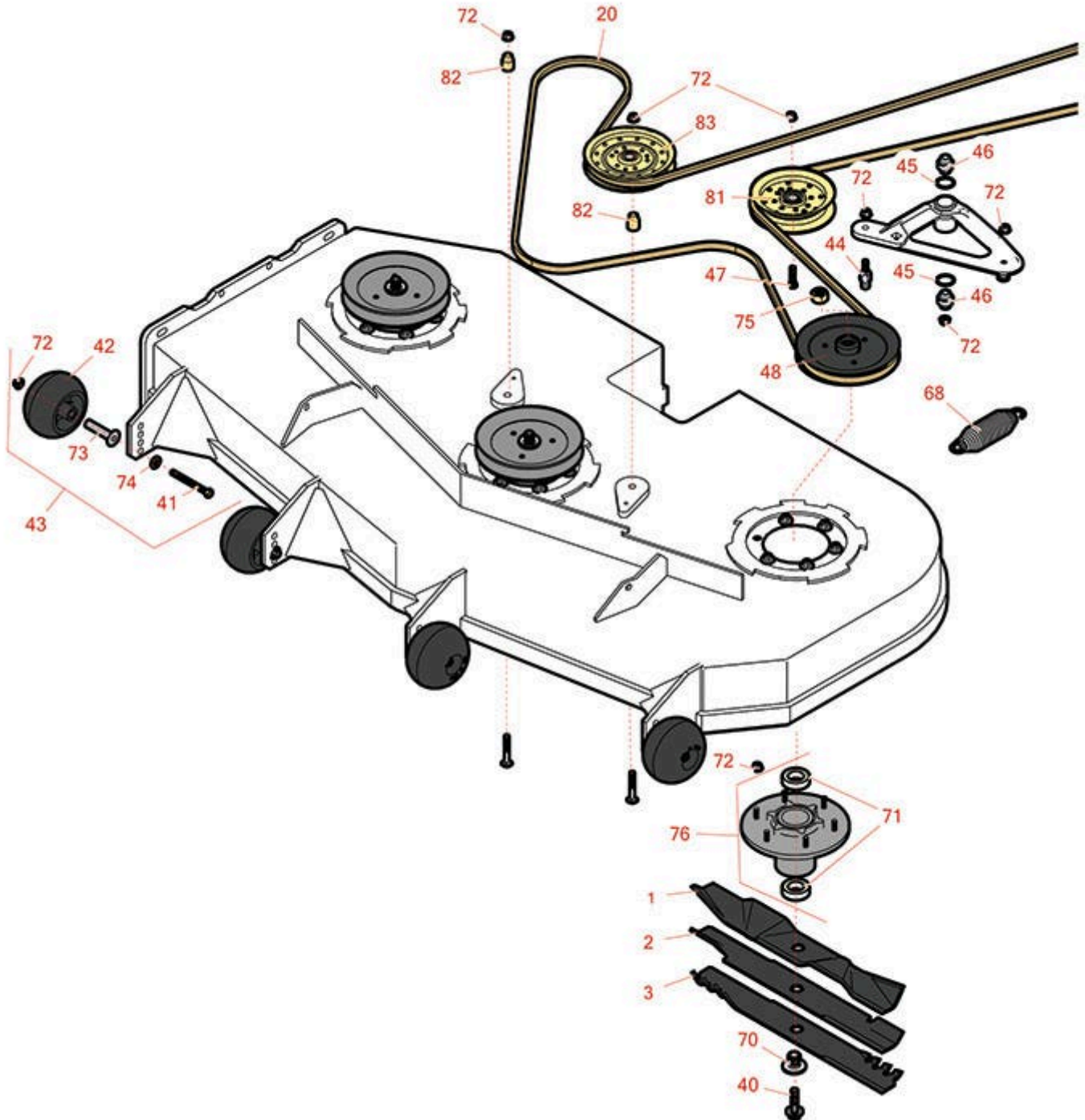




Replaces Exmark Lazer Z S-Series Parts

Zero Turn Mower with 60in Deck - Models LZS749AKC604A1,
LZS801GKA604A1, LZS850EKA604W0
60in Deck



All original equipment manufacturers names and part numbers are used for identification purposes only, and we are in no way implying that our products are original equipment parts. Prices subject to change without notice.



Replaces Exmark Lazer Z S-Series Parts

Zero Turn Mower with 60in Deck - Models LZS749AKC604A1,
LZS801GKA604A1, LZS850EKA604W0
60in Deck



Item No	R&R Part No.	OEM Part No.	Description	Qty Req	Order Quantity
Blades					
1	R103-6393	103-6393	Rotary Blade - Wave Mulcher 20.5 x 3in x 15/16 Mt Hole	3	
1	RRB5875-2001	103-6393	Mower Blade - Wave Mulcher 20.5 x 3in x 15/16 Mt Hole	3	
2	RRB3065-2001	103-6403, 103-6403-S	Mower Blade - High-Lift 20.5 x 2.5in x 15/16 Mt Hole	3	
<i>Detail Description: R&R Products rotary blades are manufactured in the USA with superior alloy steel and hardened for extended life. Lifetime guaranteed against defects in material and workmanship.:</i>					
3	RRB4065-2001	116-5174, 116-5174-S	Mower Blade - Mulcher 20.5 x 2.5in x 15/16 Mt Hole	3	
Belts					
20	R135-5774	135-5774	Belt - 5V	1	
Other parts Available					
40	R109-9220	109-9220	Bolt - Sems 1/2-20	3	
41	R116-9362	116-9362	Bolt - Hex HD 3/8-16 x 3 3/4 GR8 YZ	4	
42	R103-8415	103-8415	Roller - Anti Scalp	4	
43	R116-9981	116-9981	Kit - Anti-Scalp Roller	3	
44	R126-0423	126-0423	Pin - Spring - Anchor	1	
45	R106-7159	106-7159	O-Ring	2	
46	R103-3504	103-3504	Bearing - Spherical	2	
47	R323-8	323-8	Bolt - Hex HD 3/8-16 x 1-1/2 GR8	1	
48	R116-0676	116-0676	Sheave,blade Drive - 14T Spline Hub	3	

All original equipment manufacturers names and part numbers are used for identification purposes only, and we are in no way implying that our products are original equipment parts. Prices subject to change without notice.



Replaces Exmark Lazer Z S-Series Parts

Zero Turn Mower with 60in Deck - Models LZS749AKC604A1,
LZS801GKA604A1, LZS850EKA604W0
60in Deck



Item No	R&R Part No.	OEM Part No.	Description	Qty Req	Order Quantity
68	R116-6317	116-0133, 116-6317	Spring - Extension	1	
70	R103-3037	103-3037	Splined Bushing	3	
71	R116-0720	116-0720	Bearing - Ball - Special Triple Seal	6	
72	R104-8301	104-8301, 109-6658	Locknut - 3/8-16 Nylon Flanged	32	
73	R116-8131	116-8131	Axle - Roller	4	
74	R98-5975	98-5975	Washer - Belleville	4	
75	R116-7306	116-7306	Hex Nut - 3/4-16 with Nyloc	3	
76	R116-3344	116-3344	Spindle Housing Assy	3	
81	R126-9196	126-9196	Idler Pulley - Flat	1	
82	R1-633456	1-633456	Bushing - Idler	2	
83	R116-4667	116-4667, 126-7685	Idler -Pulley - Flat	2	

All original equipment manufacturers names and part numbers are used for identification purposes only, and we are in no way implying that our products are original equipment parts. Prices subject to change without notice.